



# Colour Television Service Manual

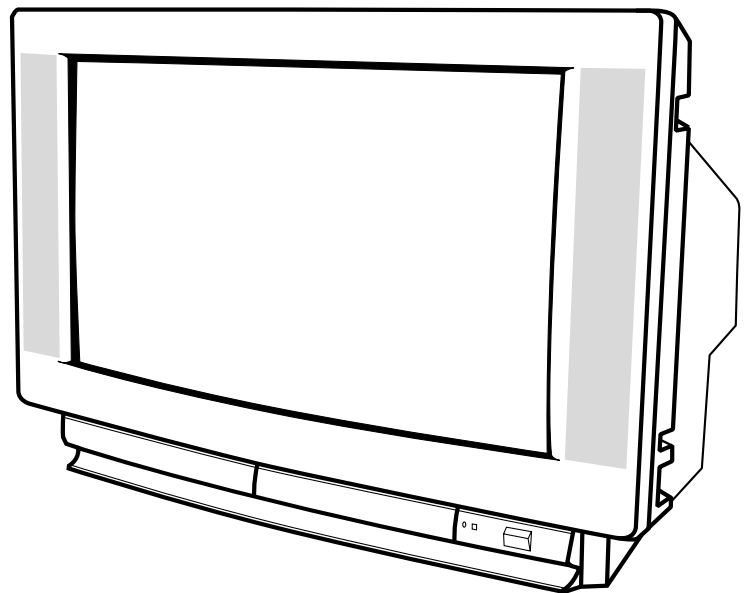
## Model CE32WN3-C

# CE32WN3-C

### Service Ref. No. CE32WN3-C-00

PRODUCT CODE: 111340316

ORIGINAL VERSION: Chassis No. EB5-W



Give complete "SERVICE REF. NO." for parts order or servicing, it is shown on the rating sheet on the cabinet back of the TV set.

#### Note

This TV receiver will not work properly in foreign countries where the television transmission system and power source differ from the design specifications. Refer to the specifications for the design specifications

#### Contents

Safety precautions/Specifications .....	2
Block diagram .....	3
Factory Special Mode/"HOTEL" & "RENTAL" Modes/Automatic Channel Search Reset (P&P)/Service Menu .....	4
Service Menu Tree .....	5
Service Parameters Description .....	6
Adjustment and Repair Procedures .....	7
Switch-on Sequence/Protect modes and Failure indication/Protect mode inhibition/ Power Supply Repair Procedure/Non-Volatile memory (NVM) Replacement, IC125 .....	8
Cabinet Disassembly .....	9
Cabinet Parts List .....	10~11
TV Stand Parts List .....	12
Electric Parts List .....	13~21

## SAFETY PRECAUTION

- 1: An isolation transformer should be connected in the power line between the receiver and the AC line when a service is performed on the primary of the converter transformer of the set.
- 2: Comply with all caution and safety-related notes provided on the cabinet back, inside the cabinet, on the chassis or the picture tube.
- 3: When replacing a chassis in the cabinet, always be certain that all the protective devices are installed properly, such as, control knobs, adjustment covers or shields, barriers, isolation resistor-capacitor networks etc. Before returning any television to the customer, the service technician must be sure that it is completely safe to operate without danger of electrical shock.

## X-RADIATION PRECAUTION

The primary source of X-RADIATION in the television receiver is the picture tube. The picture tube is specially constructed to limit X-RADIATION emissions. For continued X-RADIATION protection, the replacement tube must be the same type as the original including suffix letter. Excessive high voltage may produce potentially hazardous X-RADIATION. To avoid such hazards, the high voltage must be maintained within specified limit. Refer to this service manual, high voltage adjustment for specific high voltage limit. If high voltage exceeds specified limits, take necessary corrective action. Carefully follow the instructions for +B1 volt power supply adjustment, and high voltage adjustment to maintain the high voltage within the specified limits.

## PRODUCT SAFETY NOTICE

Product safety should be considered when a component replacement is made in any area of a receiver. Components indicated by mark  $\triangle$  in the parts list and the schematic diagram designate components in which safety can be of special significance. It is particularly recommended that only parts designated on the parts list in this manual be used for component replacement designated by mark  $\triangle$  . No deviations from resistance wattage or voltage ratings may be made for replacement items designated by mark  $\triangle$  .

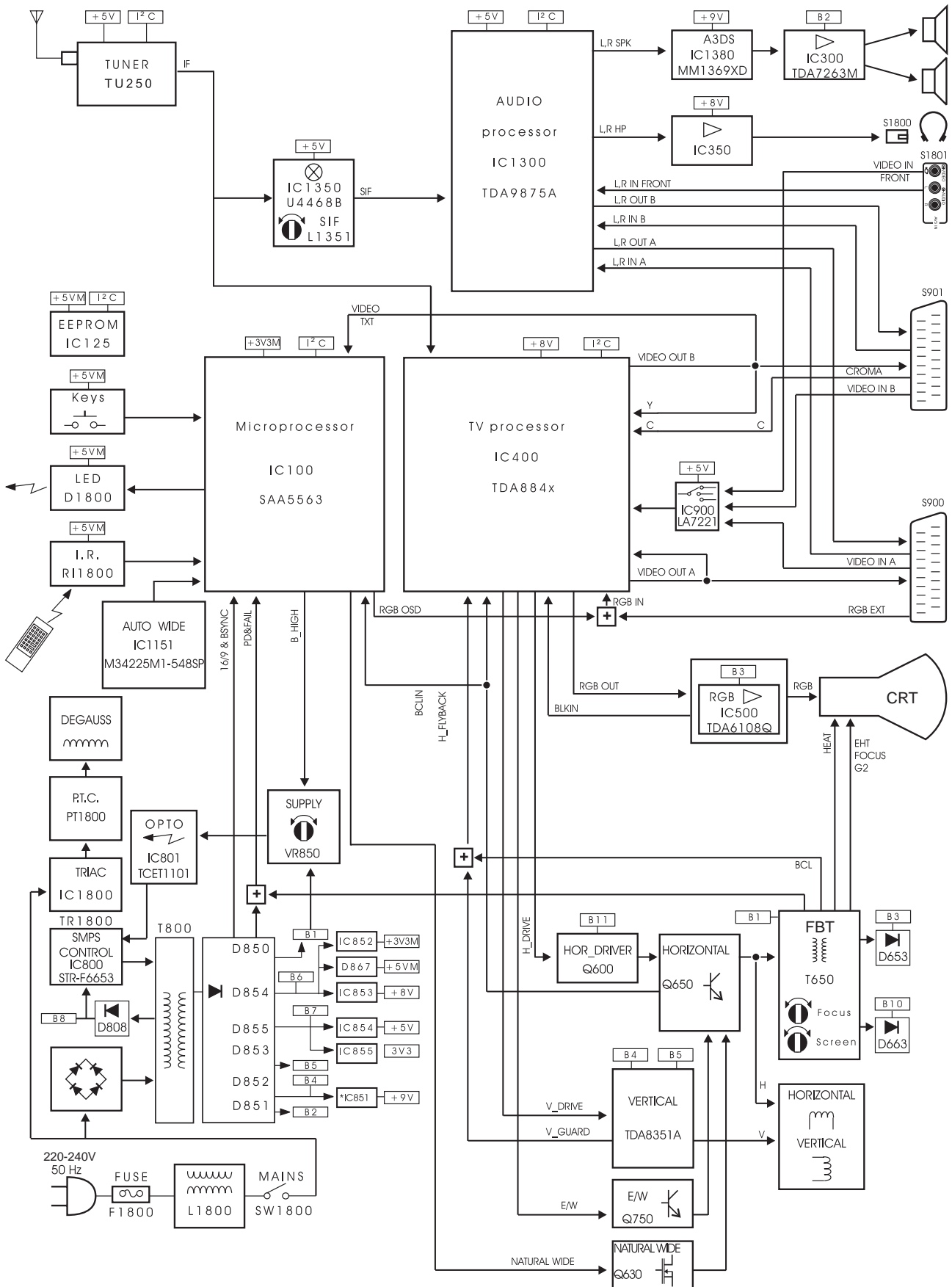
## SPECIFICATIONS

Power source	AC 220~240V, 50Hz
Television system	System B/G
Colour system	PAL
Receiving channel	UHF: #21~69 VHF: A~J CATV: S1~S41, X, Y, Z
Aerial input impedance	75ohm
AV terminal	
21 Pin SCART Terminal	AV1:CENELEC standard (S-Video Input) AV2:CENELEC standard
Sound output(Music)	16 watts x 2
Dimensions (WxHxD)	876 x 584 x 556mm
Weight	46.3 Kg

# BLOCK DIAGRAM

This is a diagram for all models and therefore differs slightly from the actual block diagram.

## EB5-W



## Factory special mode

The Factory mode is a special TV working mode intended to help in the manufacturing process and it is identified on the screen with the message "FAC". This mode is not suitable for customer use.

The main differences in respect to normal mode are:

1. Stand-by is always disabled.
2. Blue-back (no sync. signal present) is disabled.
3. Customer adjustments ( volume, contrast ...) work four times faster.
4. 'Cosmetic' delays are skipped out.

In case of finding the TV set in Factory mode, it must be taken out of this state. To do so, just enter and exit the user clock setting menu.

## "HOTEL" and "RENTAL" modes

This two special modes are intended to be used in hotels, hospitals and similar with the purpose to avoid the manipulation of the basic TV settings. They are stored in NVM, so they are kept even though the TV set is disconnected from the mains.

Its main features are:

1. Maximum volume level is limited to the volume chosen when the mode is entered.
2. Tuning operations are disabled.
3. The TV set always switches on with the normalisation settings and users can not memorise any of their personal preferences.
4. Language selection and child lock are disabled.
5. It is possible to force the TV set to always switch-on in a selected program between 1 and 8 or in AV1.

To activate this mode, hold down the "VOL -" front key and simultaneously press the "RECALL" remote control key. The message " HOTEL: 00 " will appear waiting for two digits entry.

The first digit indicates the selected mode:

- '0': normal mode
- '1': HOTEL mode
- '2': RENTAL mode

The second digit indicates the program in which the set will switch on:

- '0': the same as it was selected when the TV set was switched off (normal mode)
- '1' to '8': always this programme selection (1 to 8).
- '9': always AV1 mode

The 'RENTAL' mode has the same features as the 'HOTEL' mode and additionally only the Vol+/- front keys are available so it is only possible to change program with the remote control. In order to exit from this mode, the colour saturation level must be set to zero.

## Automatic channel search reset (P & P)

In order to reset the initial automatic channel search function, start a channel search in AUTO mode from the user tuning menu and switch-off the TV set before any station is found. The next time the TV set is switched on, it will start an automatic channel-search.

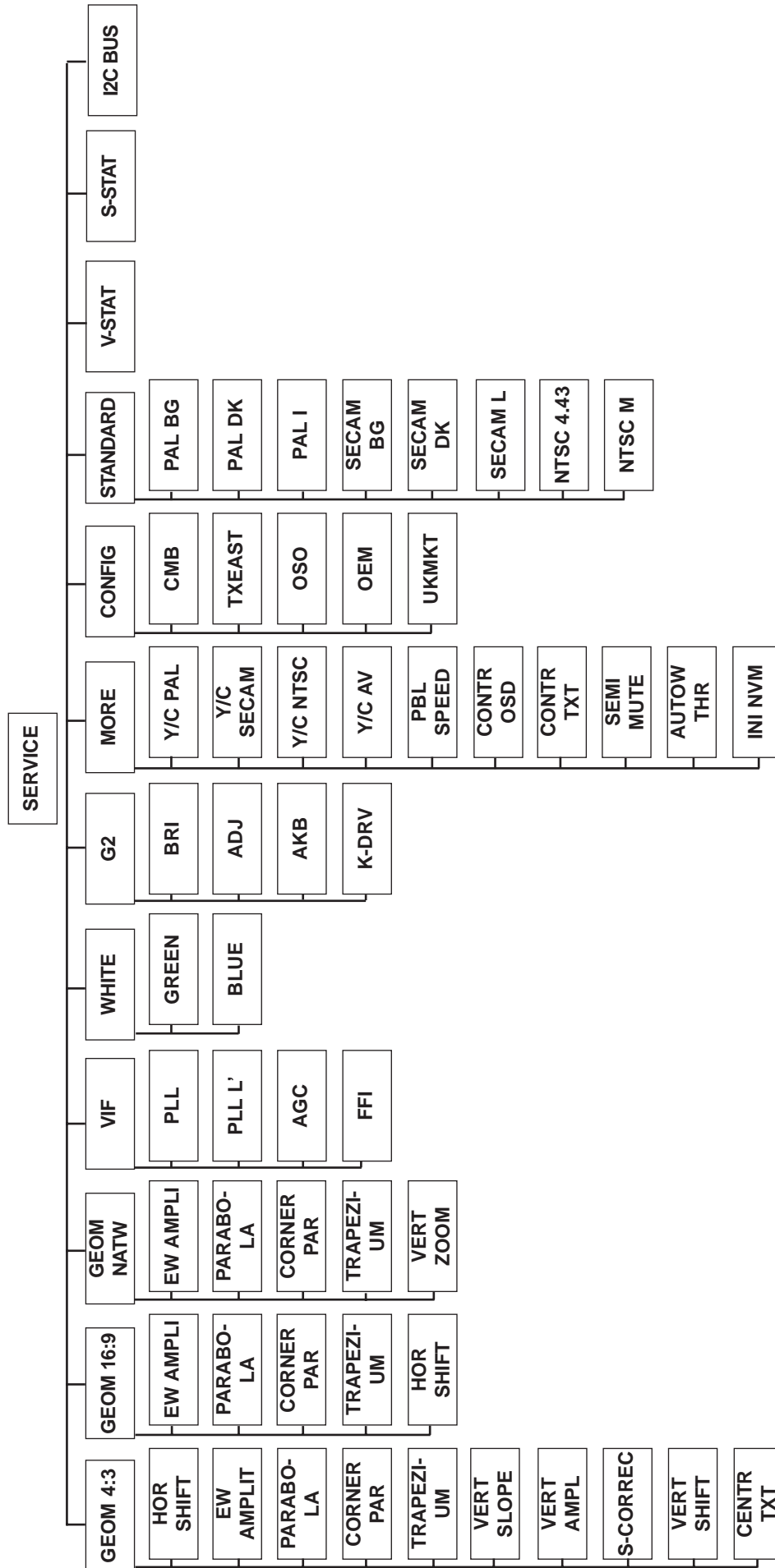
## Service menu

The service menu is accessed by holding down the front key "VOL-" and simultaneously pressing the teletext GREEN key from the remote control. The service menu is a two level structure as shown in the next page diagram.

The active keys (local or remote) in service mode are: VOL-, VOL+, P-, P+, MENU and the digits. The navigation through this menu works the same than in the user menu.

- \* The P+ and P- keys allow to navigate through the options in the active menu.
- \* The VOL+ key opens the second level menu if available. If there is a highlighted adjustment, the VOL- and VOL+ keys allow to change it.
- \* The MENU key goes back one level menu. If the active menu is the main one, it exits the service mode.
- \* The digit keys allow direct entry for adjustments.
- \* The SERVICE mode is exited by pressing any other key.

# SERVICE MENU TREE



## SERVICE PARAMETERS DESCRIPTION

Adjustment	Meaning	Range	Initial value	Suggested value
<b>4:3 GEOMETRY</b>				
HOR SHIFT	Horizontal phase	0 to 63	37	
EW AMPLIT	Horizontal width	0 to 63	2	
PARABOLA	E/W correction	0 to 63	32	
CORNER PAR	E/W corner correction	0 to 63	14	
TRAPEZIUM	Trapezium correction	0 to 63	27	
VERT SLOPE	Ramp generator amplitude	0 to 63	21	
VERT AMPL	Vertical amplitude	0 to 63	39	
S-CORREC	Vertical S-correction	0 to 63	9	
VERT SHIFT	Vertical centre	0 to 63	31	
CENTR TXT	OSD and TXT Centre	8 to 63	8	
<b>16:9 GEOMETRY</b>				
EW AMPLIT	Horizontal width	0 to 63	34	
PARABOLA	E/W correction	0 to 63	27	
CORNER PAR	E/W corner correction	0 to 63	13	
TRAPEZIUM	Trapezium correction	0 to 63	28	
HOR SHIFT	Horizontal phase	0 to 63	37	(Is the same than 4:3 HOR SHIFT)
<b>NATURAL WIDE GEOMETRY</b>				
EW AMPLIT	Horizontal width	0 to 63	53	
PARABOLA	E/W correction	0 to 63	33	
CORNER PAR	E/W corner correction	0 to 63	15	
TRAPEZIUM	Trapezium correction	0 to 63	28	
VERT ZOOM	Vertical zoom	0 to 63	29	
<b>VIF</b>				
PLL	PLL of video IF	0 to 127	80	80 (imperative)
PLL L'	PLL of video IF in L' system	0 to 127	80	80 (imperative)
AGC	Automatic gain control	0 to 63	16	
FFI	PLL constant time of IF	ON/OFF	OFF	OFF
<b>WHITE</b>				
GREEN	White point, green gain	0 to 63	25	
BLUE	White point, blue gain	0 to 63	25	
<b>G2</b>				
BRI	G2 adjust brightness level	0 to 63	0	
ADJ	Service Line Adjust	-	-	
AKB	Enable/Disable AKB servo	ON/OFF	ON	
K-DRV	RGB Drive	0 to 7	3 (28"),4 (32")	
<b>MORE</b>				
Y/C PAL	Luminance-chrome PAL phase	0 to 15	3	
Y/C SECAM	Luminance-chrome SECAM phase	0 to 15	0	
Y/C NTSC	Luminance-chrome NTSC phase	0 to 15	3	
Y/C AV	Luminance-chrome AV inputs phase	0 to 15	10	
PBL SPEED	PBL contrast reduction speed	0 to 63	0	
CONTR OSD	OSD Contrast	0 to 7	0	
CONTR TXT	TXT Contrast	0 to 7	0	
CENTR TXT	OSD and TXT Centre	8 to 63	8	
SEMI MUTE	One press mute attenuation (dB)	0 to 63	15	
INI NVM	Non volatile memory initialisation	-	-	-
<b>CONFIG</b>				
CMB	Comb Filter Enable/Disable	ON/OFF	OFF	
TXEAST	Eastern characters set	ON/OFF	OFF	
OSO	CRT HV discharge mode	ON/OFF	OFF	OFF
OEM	TV set trade-mark	ON/OFF	OFF	OFF in SANYO models ON in other brands
UKMKT	UK market selection	ON/OFF	ON	ON for SIUK
<b>STANDARD</b>				
PAL B/G	PAL B/G Configuration	ON/OFF	OFF	
PAL D/K	PAL D/K Configuration	ON/OFF	OFF	
PAL I	PAL I Configuration	ON/OFF	ON	
SECAM B/G	SECAM B/G Configuration	ON/OFF	OFF	
SECAM D/K	SECAM D/K Configuration	ON/OFF	OFF	
SECAM L	SECAM L Configuration	ON/OFF	OFF	
NTSC BG	NTSC 4.43MHz Configuration	ON/OFF	ON	
NTSC M	NTSC 3.58MHz Configuration	ON/OFF	OFF	OFF (imperative)
<b>V-STAT</b>	Video processor status	-	-	
<b>S-STAT</b>	Sound processor status	-	-	
<b>I2C BUS</b>	I2C Bus stop	-	-	

# ADJUSTMENT AND REPAIR PROCEDURES

ADJUSTMENT	SIGNAL	CONDITIONS	TEST POINT	ADJUSTMENT POINT	ADJUSTMENT PROCEDURE	INSTRUMENTS
Power supply	Philips pattern	Picture: Normalised Sound: Minimum volume	B1 Cathode D850	VR800	Adjust to obtain: 145V (0.5V in CRTs Videocolor W66EGV023X015 147V (0.5V in CRTs Videocolor W76EGV023X015 Adjust to obtain 3.3V±0.2V	Voltmeter DC Resolution >0.1V
AGC.	UHF Band - mid Channel (e.g.CH25) Any picture	Aerial signal level: 60dBuV (1mVrms)	Pin 1 of TU250 (AGC)	SERVICE/VIF/AGC	Adjust to obtain 3.3V ±0.15V	Visual adjustment
Sound IF	Philips pattern	Picture: Normalised	Pin 5 of IC1350	L1351	Adjust to obtain the right white tone	Visual adjustment
White balance			CRT Screen	SERVICE/WHITE/GREEN SERVICE/WHITE/RED	Adjust just to see the service line	
G2		SERVICE/G2/BRI must be: 0		SERVICE/G2/ADJ	Adjust to obtain the best possible focusing in the centre of screen	
Focus		Picture: Normalised		SCREEN potentiometer FOCUS potentiometer		
<b>4:3 GEOMETRY</b>						
Vertical slope	Philips pattern	Picture: Normalised	CRT Screen	SERVICE/GEOM 4:3/...	Adjust to achieve that the centre line of the Philips pattern matches the beginning of the service blanking	Visual adjustment
Vertical centre				.../VERT SLOPE	Adjust to centre the picture in vertical direction	
Vertical size				.../VERT SHIFT	Adjust just to get the checked board hidden	
Width				.../VERT AMPLIT	Adjust just to get the checked board hidden	
Pin Cushion				.../EW AMPLIT	Adjust to correct the pin cushion distortion in the way that vertical lateral lines become straight	
Corner Pin Cushion				.../PARABOLA	Adjust to correct the pin cushion distortion in the corner in the way that vertical lateral lines become straight	
Trapezium				.../CORNER PAR	Adjust to correct the pin cushion distortion in the corner in the way that vertical lateral lines become straight	
Trapezium				.../TRAPEZIUM	Adjust to obtain the lateral vertical lines parallel	
TXT centre				.../CENTR TXT	Adjust to centre the OSD	
<b>16:9 (FULL) GEOMETRY</b>						
Width	Philips pattern	Picture: Normalised	CRT Screen	SERVICE/GEOM 16:9/...	Adjust just to get the checked board hidden	Visual adjustment
Pin Cushion				.../EW AMPLIT	Adjust to correct the pin cushion distortion in the way that vertical lateral lines become straight	
Corner Pin Cushion				.../PARABOLA	Adjust to correct the pin cushion distortion in the corner in the way that vertical lateral lines become straight	
Trapezium				.../CORNER PAR	Adjust to correct the pin cushion distortion in the corner in the way that vertical lateral lines become straight	
Horizontal centre				.../TRAPEZIUM	Adjust to obtain the lateral vertical lines parallel	
				.../HOR SHIFT	Adjust to centre the picture in horizontal direction	
<b>NATURAL WIDE GEOMETRY</b>						
Width	Philips pattern	Picture: Normalised	CRT Screen	SERVICE/GEOM NATW/...	Adjust just to get the checked board hidden	Visual adjustment
Pin Cushion				.../EW AMPLIT	Adjust to correct the pin cushion distortion in the way that vertical lateral lines become straight	
Corner Pin Cushion				.../PARABOLA	Adjust to correct the pin cushion distortion in the corner in the way that vertical lateral lines become straight	
Trapezium				.../CORNER PAR	Adjust to correct the pin cushion distortion in the corner in the way that vertical lateral lines become straight	

Common condition to all adjustment (except AGC): The best aerial signal level should be used.

## Switch-on sequence.

In case of malfunction it is very important to know the switch-on procedure:

1. The microprocessor starts working when the reset goes low.
2. It reads from NVM the last ON/STAND-BY state.
3. If state is ON, it continues the switch-on procedure.
4. It waits for a falling edge in the 16/9&BSYNC line.
5. The port B\_HIGH is set to switch the power to SMPS\_B\_HIGH state.
6. It waits for a rising edge in the 16/9&BSYNC line.
7. It reads the CTL1 signal. If this signal doesn't rise before 160mS the process is stopped indicating ERROR\_4.
8. It checks PD\_FAIL and CTL2 lines. If any of them is high, the process is stopped indicating ERROR\_7.
9. The Video processor is started via I2C bus. If there isn't any answer the process is stopped indicating ERROR\_1.
10. There is a 1 second delay.
11. The deflection is started. If there are failures the process is stopped indicating ERROR\_2 or ERROR\_3.
12. It waits until the cathode heater is warm by inspection of the video processor register bit AKB.
13. Finally picture and sound are switched on.

## Protect modes and failure indication

The microprocessor continuously checks the different parts of the circuit and if it detects any fault in a safety defined part then it puts the TV set in PROTECTED mode. The found error code is indicated by the red LED.

The red indicator lamp flashes every 0,3 seconds and stops during 0,7 seconds. The number of flashes depends on the error code (see table below).

Error indication	Meaning
ERROR_1	Video Processor not responding
ERROR_2	Vertical Deflection Fault
ERROR_3	Horizontal Deflection Fault
ERROR_4	Power Supply Short-circuit.
ERROR_5	Sound Processor not responding
ERROR_6	EEPROM not responding
ERROR_7	Protection hardware not detected
ERROR_8	Tuner not responding

Error codes 1, 2, 5, 6 and 8 are read via the I2C Bus.

Codes 3, 4 and 7 are read through the CTL1, CTL2 and -PD&FAIL signals.

Except in codes 5, and 8, the power supply is set in SMPS\_B\_LOW state.

## Protect mode inhibition

In order to facilitate the TV set repair it is possible to disable the protect mode. By pushing the M key (PL100) in a fault detection situation, the microprocessor resumes normal execution flow except in ERROR\_4 state (Power Supply Short-circuit). In this case the microprocessor keeps the power supply in SMPS\_B\_LOW state (the M key does not act).

## Power supply repair procedure

\*When it is necessary to replace the IC800, it is strongly recommended to replace also the current sensor resistors R804 and R805 (they may be also damaged or altered).

\*Keep in mind that when the power supply is forced to SMPS\_B\_HIGH state and without current consumption at the main output (deflection stopped), B6 is the stabilised output. The minimum voltage circuit is working and B6 can go down from the nominal 10 volts to 7,5 volts approximately.

## Non-volatile memory (NVM) replacement, IC125

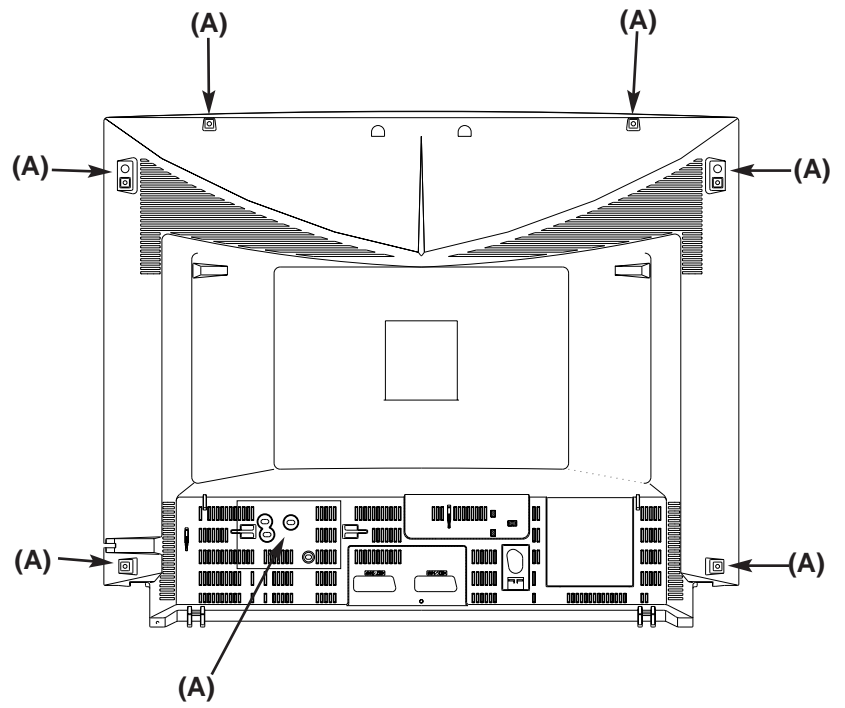
When the TV set starts up, the microprocessor checks the non volatile memory in order to know if it has been properly initialised. Even if it detects no initialisation it will continue the start up procedure with a minimum default adjustment values stored in ROM. Then, in case of NVM replacement, it is necessary to initialise the non volatile memory from the SERVICE menu (it will load a complete set of default values) and 'reboot' the set in order to refresh all the settings. After, it is necessary to fine tune all the parameters to its correct value.



## CABINET DISASSEMBLY

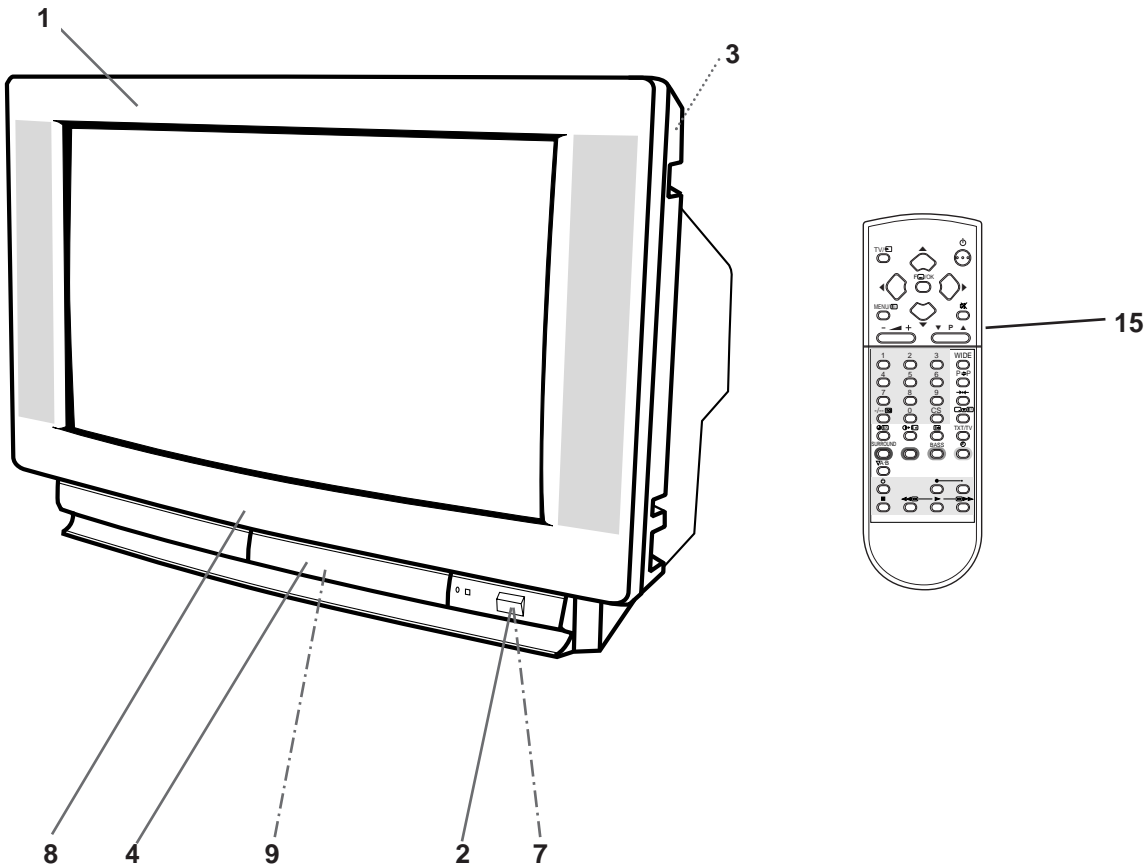
### CABINET BACK DISASSEMBLY

1. Remove 7 screws(A).
2. Pull out the cabinet back.



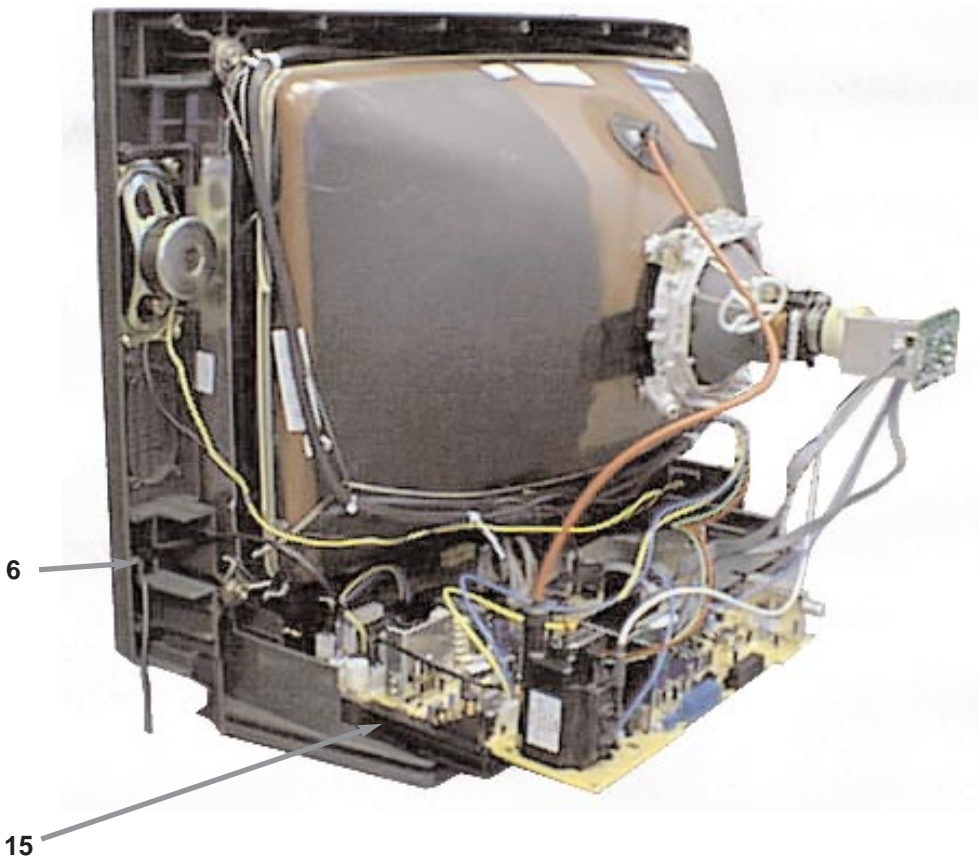
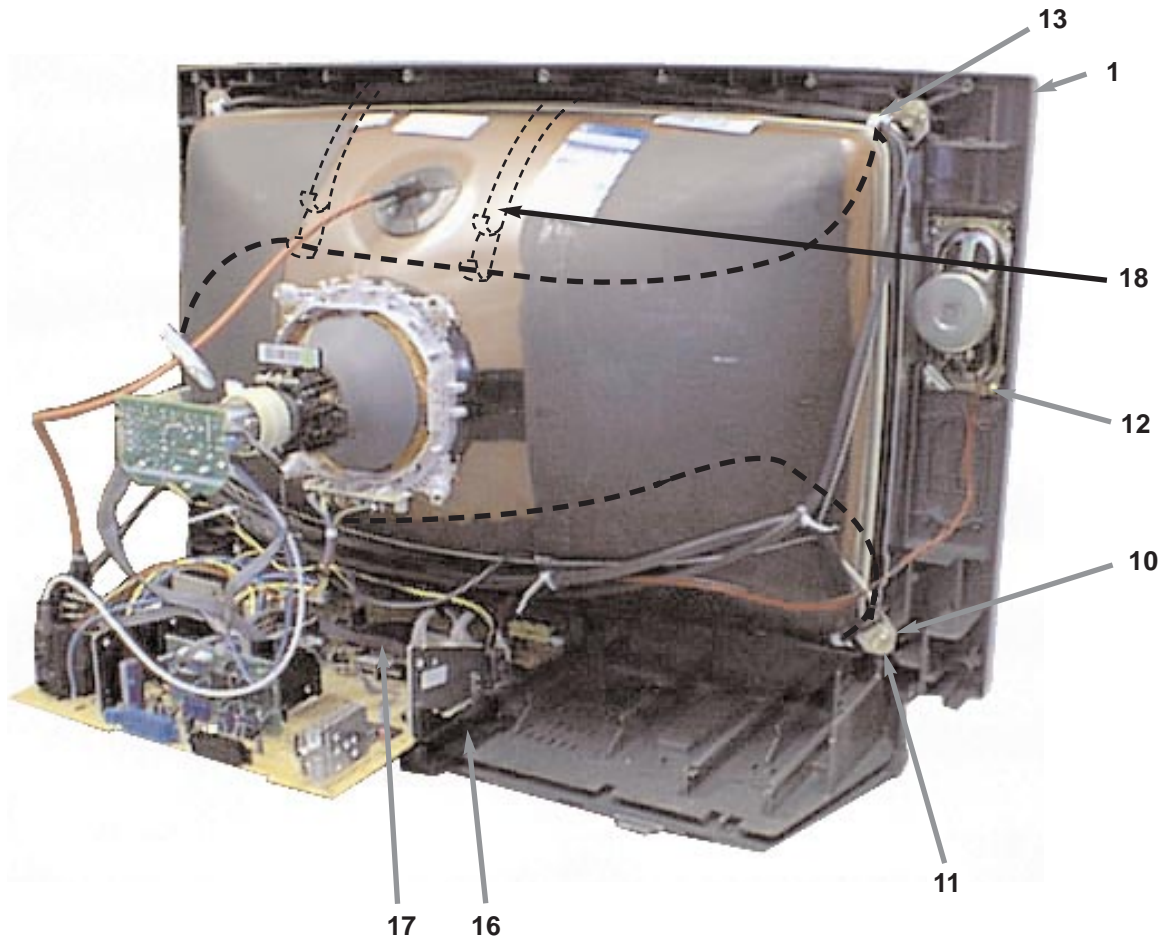
# CABINET PARTS LIST FOR MODEL CE32WN3-C-00

Note: Parts order must contain Service Ref. No., Part No., and descriptions.

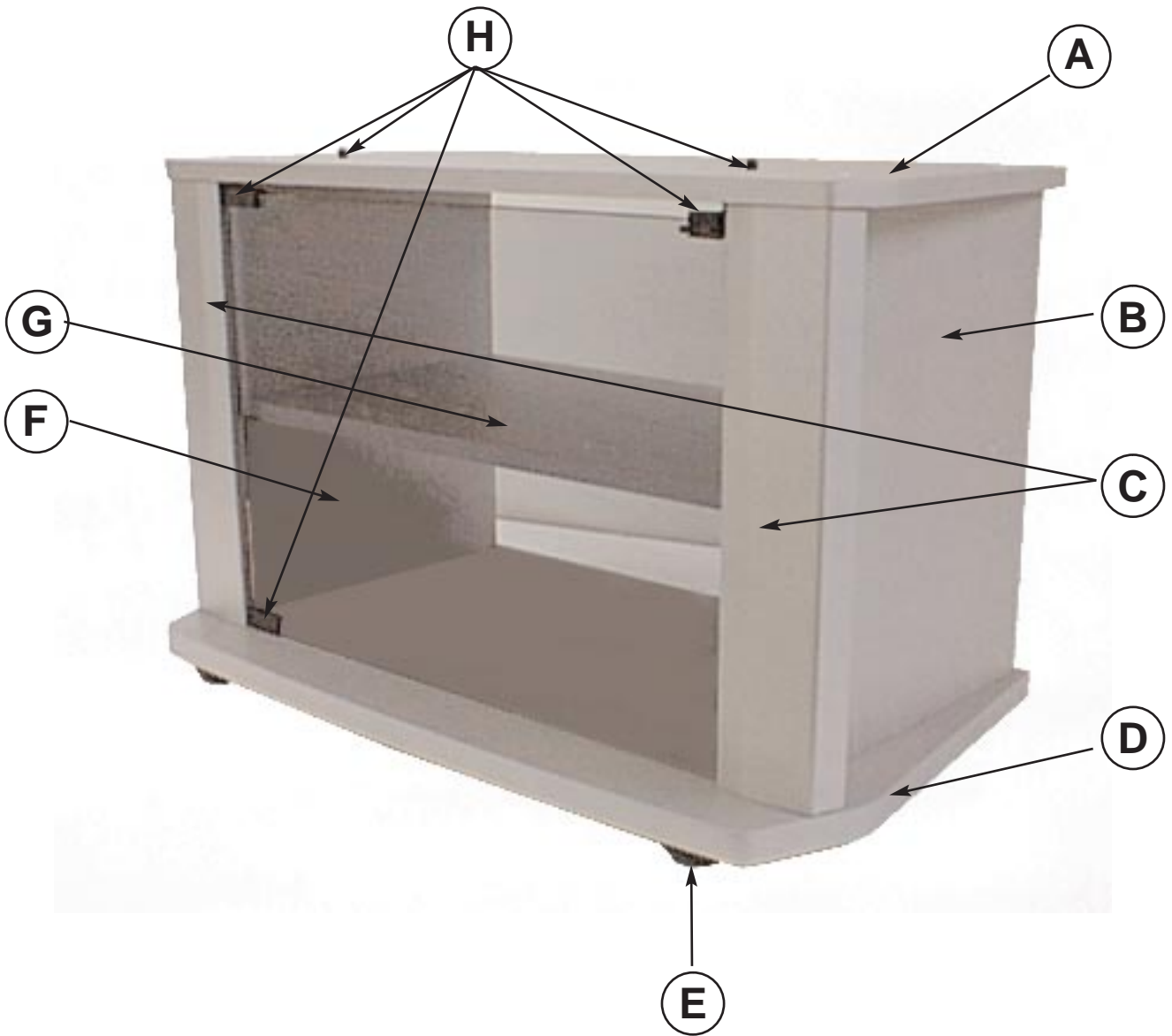


Item	Part No.	Description
<b>CABINET PARTS</b>		
1	610 280 3631	ASSY, CABINET FR- F7YS
2	610 277 5518	BUTTON POWER- F7HB
3	610 279 4472	CABINET BACK- F7YS
4	610 277 5570	DOOR A- F7HB
5	610 277 5587	DEC IND A- F7HB
6	610 253 2449	HOLDER AC CORD- GBR- D4VA
7	610 261 3032	SPRING- E7GC
8	645 034 8228	BADGE, SANYO*53. 5X12 BROWN
9	610 104 2505	LATCH PUSH, 7. 9X6. 9BK
10	610 224 5721	CRT CUSHION- B3MY- UK
11	SKZZ0125	CRT SCREW 6 X 27
12	411 076 1301	SCR TPG BRZ 4X14
13	610 260 0131	HOLDER DC GBR- HBZ
14	411 076 1004	SCR TPG BRZ 4X12
15	610 277 6805	CHASSIS RAIL R- F7HS
16	610 277 6812	CHASSIS RAIL L- F7HS
17	610 277 6829	CHASSIS RAIL F- F7HS
18	SKZZ0089	DC HOLDER- F2KA
<b>ACCESSORIES</b>		
15	JXMFE	RC TRANSMITTER
	SKP10207	INST MANUAL- F7YV (1)
	SKP20270	SHEM DIAG - F7YVV- 00

CABINET PARTS LIST FOR MODEL CE28WN3-R-01, CE32WN3-R-01



# TV STAND PARTS LIST



Item	Part No.	Description
<b>STAND PARTS</b>		
	<b>TV STAND-WST3291</b>	
A	SKZZ0139	TOP BOARD- WST3291
B	SKZZ0137	SIDE BOARD- WST2891/3291
C	SKZZ0136	PROFILE- WST2891/3291
D	SKZZ0141	BASE BOARD- WST3291
E	SKZZ0147	CASTON- WST2891 X4
F	SKZZ0143	GLASS DOOR- WST3291
G	SKZZ0145	SHELF- WST3291
H	SKZZ0135	ACCESSORY PACK- WST2891
J	SKZZ0146	SCREW PACK- WST2891

# CHASSIS ELECTRICAL PARTS LIST

Product safety should be considered when a component replacement is made in any area of a receiver. Components indicated by a  $\Delta$  mark in this parts list and the circuit diagram show components whose value have special significance to product safety. It is particularly recommended that only parts specified on the following parts list be used for components replacement pointed out by the mark  $\Delta$  .

Note: Parts order must contain Service Ref. No., Part No., and descriptions.

	Ref. No.	Part No.	Description																																																																																																																																																																																																																																																																																																																				
<p>Read description in the Capacitor and Resistor as follows:</p> <p><b>CAPACITOR</b>  <b>CERAMIC 100P K 50V</b></p> <p style="margin-left: 40px;">Rated Voltage</p> <p style="margin-left: 40px;">Tolerance Symbols:  <u>Less than 10PF</u>                      A: Not specified B: <math>\pm 0.1PF</math> C: <math>\pm 0.25PF</math>                      D: <math>\pm 0.5PF</math> F: <math>\pm 1PF</math> G: <math>\pm 2PF</math>                      R: <math>\pm 0.25-0PF</math> S: <math>\pm 0-0.25PF</math> E: <math>+0-1PF</math>  <u>More than 10PF</u>                      A: Not specified B: <math>\pm 0.1\%</math> C: <math>\pm 0.25\%</math>                      D: <math>\pm 0.5\%</math> F: <math>\pm 1\%</math> G: <math>\pm 2\%</math>                      H: <math>\pm 3\%</math> J: <math>\pm 5\%</math> K: <math>\pm 10\%</math>                      L: <math>\pm 15\%</math> M: <math>\pm 20\%</math> N: <math>\pm 30\%</math>                      P: <math>+100-0\%</math> Q: <math>+30-10\%</math> T: <math>+50-10\%</math>                      U: <math>+75-10\%</math> V: <math>+20-10\%</math> W: <math>+100-10\%</math>                      X: <math>+40-20\%</math> Y: <math>+150-10\%</math> Z: <math>+80-20\%</math></p> <p style="margin-left: 40px;">Rated value: P=pico farad, U=Micro farad</p> <p>Material:</p> <p>CERAMIC .....Ceramic                      MT-PAPER .....Metallized Paper                      POLYESTER .....Polyester                      MT-POLYEST .....Metallized Polyester                      POLYPRO.....Polypropylene                      MT-POLYPRO .....Metallized Polypropylene                      COMPO FILM.....Composite film                      MT-COMPO .....Metallized Composite                      STYRENE.....Styrene                      TA-SOLID .....Tantalum Solid                      AL-SOLID .....Aluminium Solid                      ELECT .....Electrolytic                      NP-ELECT .....Non-polarised Electrolytic                      OS-SOLID .....Aluminium Solid with Organic Semiconductive Electrolytic                      DL-ELECT .....Double Layered Electrolytic</p> <p><b>RESISTOR</b>  <b>CARBON 4.7K J A 1/4W</b></p> <p style="margin-left: 40px;">Rated Wattage</p> <p style="margin-left: 40px;">Performance Symbols:                      A: General B: Non flammable Z: Low noise                      Other: Temperature coefficient</p> <p style="margin-left: 40px;">Tolerance Symbols:                      A: <math>\pm 0.05\%</math> B: <math>\pm 0.1\%</math> C: <math>\pm 0.25\%</math> D: <math>\pm 0.5\%</math>                      F: <math>\pm 1\%</math> G: <math>\pm 2\%</math> J: <math>\pm 5\%</math> K: <math>\pm 10\%</math>                      M: <math>\pm 20\%</math> P: <math>+5-15\%</math></p> <p style="margin-left: 40px;">Rated value, ohms:                      K: 1,000, M: 1,000,000</p> <p>Material:</p> <p>CARBON .....Carbon                      MT-FILM .....Metal Film                      OXIDE-MT .....Oxide Metal Film                      SOLID .....Composition                      MT-GLAZE .....Metal Glaze                      WIRE WOUND .....Wire Wound                      CERAMIC RES.....Ceramic                      FUSIBLE RES .....Fusible</p>																																																																																																																																																																																																																																																																																																																							
<p><b>Chassis construction</b></p> <p><b>CE32WN3-C-00</b></p> <p>1AA0B10H040YS ASSY,PWB,MAIN,F7YSV (Page 13-19)</p> <p>1AA0B10H04000 ASSY,PWB,AUDIO F7HSV (Page 19)</p> <p>1AA0B10H040AA ASSY,PWB,FRONT,F7HSV (Page 20)</p> <p>1AA0B10H040AB ASSY,PWB,CRT,F7HSV (Page 20)</p> <p>OUT OF CIRCUIT-CE32WN3-C (Page 21)</p>																																																																																																																																																																																																																																																																																																																							
<p>.....</p> <p><b>1AA0B10H040YS ASSY,PWB,MAIN,F7YSV</b></p> <p><b>CAPACITOR</b></p> <table style="width: 100%; border-collapse: collapse;"> <tr> <td style="width: 10%;">CF200</td> <td style="width: 10%;">645</td> <td style="width: 10%;">001</td> <td style="width: 10%;">7902</td> <td style="width: 10%;">CER/TRAP</td> <td style="width: 10%;">TPS6.0MB</td> <td style="width: 10%;">TF21</td> </tr> <tr> <td>CGND2</td> <td>403</td> <td>069</td> <td>0517</td> <td>CERAMI C</td> <td>1000P</td> <td>K 50V</td> </tr> <tr> <td>C100</td> <td>403</td> <td>192</td> <td>5915</td> <td>CERAMI C</td> <td>0.1U</td> <td>K 25V</td> </tr> <tr> <td>C101</td> <td>403</td> <td>069</td> <td>9510</td> <td>CERAMI C</td> <td>CHIP</td> <td>0.01 Z 50V</td> </tr> <tr> <td>C102</td> <td>403</td> <td>192</td> <td>5915</td> <td>CERAMI C</td> <td>0.1U</td> <td>K 25V</td> </tr> <tr> <td>C104</td> <td>403</td> <td>248</td> <td>1618</td> <td>ELECT</td> <td>47U</td> <td>M 16V</td> </tr> <tr> <td>C106</td> <td>403</td> <td>178</td> <td>9210</td> <td>POLYESTER</td> <td>1000P</td> <td>J 50V</td> </tr> <tr> <td>C107</td> <td>403</td> <td>068</td> <td>0419</td> <td>CERAMI C</td> <td>0.1U</td> <td>Z 25V</td> </tr> <tr> <td>C108</td> <td>023</td> <td>016</td> <td>0301</td> <td>CERAMI C</td> <td>22PF</td> <td>1% 50V</td> </tr> <tr> <td>C109</td> <td>023</td> <td>016</td> <td>0301</td> <td>CERAMI C</td> <td>22PF</td> <td>1% 50V</td> </tr> <tr> <td>C110</td> <td>403</td> <td>192</td> <td>5915</td> <td>CERAMI C</td> <td>0.1U</td> <td>K 25V</td> </tr> <tr> <td>C111</td> <td>403</td> <td>269</td> <td>5916</td> <td>CERAMI C</td> <td>0.22U</td> <td>K 16V</td> </tr> <tr> <td>C112</td> <td>403</td> <td>068</td> <td>0419</td> <td>CERAMI C</td> <td>0.1U</td> <td>Z 25V</td> </tr> <tr> <td>C113</td> <td>403</td> <td>069</td> <td>9510</td> <td>CERAMI C</td> <td>CHIP</td> <td>0.01 Z 50V</td> </tr> <tr> <td>C114</td> <td>403</td> <td>069</td> <td>9510</td> <td>CERAMI C</td> <td>CHIP</td> <td>0.01 Z 50V</td> </tr> <tr> <td>C115</td> <td>403</td> <td>073</td> <td>7311</td> <td>CERAMI C</td> <td>470P</td> <td>K 50V</td> </tr> <tr> <td>C1150</td> <td>403</td> <td>049</td> <td>4204</td> <td>ELECT</td> <td>10U</td> <td>M 50V</td> </tr> <tr> <td>C1151</td> <td>403</td> <td>069</td> <td>1712</td> <td>CERAMI C</td> <td>1000P</td> <td>K 50V</td> </tr> <tr> <td>C1152</td> <td>403</td> <td>072</td> <td>8517</td> <td>CERAMI C</td> <td>330P</td> <td>K 50V</td> </tr> <tr> <td>C1153</td> <td>403</td> <td>192</td> <td>5915</td> <td>CERAMI C</td> <td>0.1U</td> <td>K 25V</td> </tr> <tr> <td>C1154</td> <td>403</td> <td>069</td> <td>9510</td> <td>CERAMI C</td> <td>CHIP</td> <td>0.01 Z 50V</td> </tr> <tr> <td>C1155</td> <td>403</td> <td>049</td> <td>4204</td> <td>ELECT</td> <td>10U</td> <td>M 50V</td> </tr> <tr> <td>C1156</td> <td>403</td> <td>049</td> <td>4204</td> <td>ELECT</td> <td>10U</td> <td>M 50V</td> </tr> <tr> <td>C1157</td> <td>403</td> <td>068</td> <td>0419</td> <td>CERAMI C</td> <td>0.1U</td> <td>Z 25V</td> </tr> <tr> <td>C1158</td> <td>403</td> <td>049</td> <td>4204</td> <td>ELECT</td> <td>10U</td> <td>M 50V</td> </tr> <tr> <td>C1159</td> <td>403</td> <td>068</td> <td>0419</td> <td>CERAMI C</td> <td>0.1U</td> <td>Z 25V</td> </tr> <tr> <td>C116</td> <td>403</td> <td>073</td> <td>7311</td> <td>CERAMI C</td> <td>470P</td> <td>K 50V</td> </tr> <tr> <td>C1160</td> <td>403</td> <td>269</td> <td>5916</td> <td>CERAMI C</td> <td>0.22U</td> <td>K 16V</td> </tr> <tr> <td>C117</td> <td>403</td> <td>069</td> <td>1712</td> <td>CERAMI C</td> <td>1000P</td> <td>K 50V</td> </tr> <tr> <td>C118</td> <td>403</td> <td>069</td> <td>1712</td> <td>CERAMI C</td> <td>1000P</td> <td>K 50V</td> </tr> <tr> <td>C120</td> <td>403</td> <td>068</td> <td>0419</td> <td>CERAMI C</td> <td>0.1U</td> <td>Z 25V</td> </tr> <tr> <td>C123</td> <td>403</td> <td>009</td> <td>5718</td> <td>CERAMI C</td> <td>100P</td> <td>J 50V</td> </tr> <tr> <td>C1351</td> <td>403</td> <td>049</td> <td>4204</td> <td>ELECT</td> <td>10U</td> <td>M 50V</td> </tr> <tr> <td>C1352</td> <td>403</td> <td>069</td> <td>9510</td> <td>CERAMI C</td> <td>CHIP</td> <td>0.01 Z 50V</td> </tr> <tr> <td>C1353</td> <td>403</td> <td>051</td> <td>0607</td> <td>ELECT</td> <td>4.7U</td> <td>M 50V</td> </tr> <tr> <td>C1354</td> <td>403</td> <td>051</td> <td>0607</td> <td>ELECT</td> <td>4.7U</td> <td>M 50V</td> </tr> <tr> <td>C1355</td> <td>403</td> <td>314</td> <td>5915</td> <td>SMD CAP</td> <td>GRM40X5R474K16</td> <td></td> </tr> <tr> <td>C1356</td> <td>023</td> <td>019</td> <td>0704</td> <td>CERAMI C</td> <td>8PF. +/- 0.5PF.</td> <td>50V</td> </tr> <tr> <td>C1358</td> <td>403</td> <td>068</td> <td>0419</td> <td>CERAMI C</td> <td>0.1U</td> <td>Z 25V</td> </tr> <tr> <td>C1359</td> <td>403</td> <td>069</td> <td>9510</td> <td>CERAMI C</td> <td>CHIP</td> <td>0.01 Z 50V</td> </tr> <tr> <td>C1360</td> <td>403</td> <td>009</td> <td>5718</td> <td>CERAMI C</td> <td>100P</td> <td>J 50V</td> </tr> <tr> <td>C200</td> <td>403</td> <td>049</td> <td>4204</td> <td>ELECT</td> <td>10U</td> <td>M 50V</td> </tr> <tr> <td>C201</td> <td>403</td> <td>024</td> <td>2112</td> <td>CERAMI C</td> <td>39P</td> <td>J 50V</td> </tr> <tr> <td>C202</td> <td>403</td> <td>069</td> <td>1712</td> <td>CERAMI C</td> <td>1000P</td> <td>K 50V</td> </tr> </table>				CF200	645	001	7902	CER/TRAP	TPS6.0MB	TF21	CGND2	403	069	0517	CERAMI C	1000P	K 50V	C100	403	192	5915	CERAMI C	0.1U	K 25V	C101	403	069	9510	CERAMI C	CHIP	0.01 Z 50V	C102	403	192	5915	CERAMI C	0.1U	K 25V	C104	403	248	1618	ELECT	47U	M 16V	C106	403	178	9210	POLYESTER	1000P	J 50V	C107	403	068	0419	CERAMI C	0.1U	Z 25V	C108	023	016	0301	CERAMI C	22PF	1% 50V	C109	023	016	0301	CERAMI C	22PF	1% 50V	C110	403	192	5915	CERAMI C	0.1U	K 25V	C111	403	269	5916	CERAMI C	0.22U	K 16V	C112	403	068	0419	CERAMI C	0.1U	Z 25V	C113	403	069	9510	CERAMI C	CHIP	0.01 Z 50V	C114	403	069	9510	CERAMI C	CHIP	0.01 Z 50V	C115	403	073	7311	CERAMI C	470P	K 50V	C1150	403	049	4204	ELECT	10U	M 50V	C1151	403	069	1712	CERAMI C	1000P	K 50V	C1152	403	072	8517	CERAMI C	330P	K 50V	C1153	403	192	5915	CERAMI C	0.1U	K 25V	C1154	403	069	9510	CERAMI C	CHIP	0.01 Z 50V	C1155	403	049	4204	ELECT	10U	M 50V	C1156	403	049	4204	ELECT	10U	M 50V	C1157	403	068	0419	CERAMI C	0.1U	Z 25V	C1158	403	049	4204	ELECT	10U	M 50V	C1159	403	068	0419	CERAMI C	0.1U	Z 25V	C116	403	073	7311	CERAMI C	470P	K 50V	C1160	403	269	5916	CERAMI C	0.22U	K 16V	C117	403	069	1712	CERAMI C	1000P	K 50V	C118	403	069	1712	CERAMI C	1000P	K 50V	C120	403	068	0419	CERAMI C	0.1U	Z 25V	C123	403	009	5718	CERAMI C	100P	J 50V	C1351	403	049	4204	ELECT	10U	M 50V	C1352	403	069	9510	CERAMI C	CHIP	0.01 Z 50V	C1353	403	051	0607	ELECT	4.7U	M 50V	C1354	403	051	0607	ELECT	4.7U	M 50V	C1355	403	314	5915	SMD CAP	GRM40X5R474K16		C1356	023	019	0704	CERAMI C	8PF. +/- 0.5PF.	50V	C1358	403	068	0419	CERAMI C	0.1U	Z 25V	C1359	403	069	9510	CERAMI C	CHIP	0.01 Z 50V	C1360	403	009	5718	CERAMI C	100P	J 50V	C200	403	049	4204	ELECT	10U	M 50V	C201	403	024	2112	CERAMI C	39P	J 50V	C202	403	069	1712	CERAMI C	1000P	K 50V
CF200	645	001	7902	CER/TRAP	TPS6.0MB	TF21																																																																																																																																																																																																																																																																																																																	
CGND2	403	069	0517	CERAMI C	1000P	K 50V																																																																																																																																																																																																																																																																																																																	
C100	403	192	5915	CERAMI C	0.1U	K 25V																																																																																																																																																																																																																																																																																																																	
C101	403	069	9510	CERAMI C	CHIP	0.01 Z 50V																																																																																																																																																																																																																																																																																																																	
C102	403	192	5915	CERAMI C	0.1U	K 25V																																																																																																																																																																																																																																																																																																																	
C104	403	248	1618	ELECT	47U	M 16V																																																																																																																																																																																																																																																																																																																	
C106	403	178	9210	POLYESTER	1000P	J 50V																																																																																																																																																																																																																																																																																																																	
C107	403	068	0419	CERAMI C	0.1U	Z 25V																																																																																																																																																																																																																																																																																																																	
C108	023	016	0301	CERAMI C	22PF	1% 50V																																																																																																																																																																																																																																																																																																																	
C109	023	016	0301	CERAMI C	22PF	1% 50V																																																																																																																																																																																																																																																																																																																	
C110	403	192	5915	CERAMI C	0.1U	K 25V																																																																																																																																																																																																																																																																																																																	
C111	403	269	5916	CERAMI C	0.22U	K 16V																																																																																																																																																																																																																																																																																																																	
C112	403	068	0419	CERAMI C	0.1U	Z 25V																																																																																																																																																																																																																																																																																																																	
C113	403	069	9510	CERAMI C	CHIP	0.01 Z 50V																																																																																																																																																																																																																																																																																																																	
C114	403	069	9510	CERAMI C	CHIP	0.01 Z 50V																																																																																																																																																																																																																																																																																																																	
C115	403	073	7311	CERAMI C	470P	K 50V																																																																																																																																																																																																																																																																																																																	
C1150	403	049	4204	ELECT	10U	M 50V																																																																																																																																																																																																																																																																																																																	
C1151	403	069	1712	CERAMI C	1000P	K 50V																																																																																																																																																																																																																																																																																																																	
C1152	403	072	8517	CERAMI C	330P	K 50V																																																																																																																																																																																																																																																																																																																	
C1153	403	192	5915	CERAMI C	0.1U	K 25V																																																																																																																																																																																																																																																																																																																	
C1154	403	069	9510	CERAMI C	CHIP	0.01 Z 50V																																																																																																																																																																																																																																																																																																																	
C1155	403	049	4204	ELECT	10U	M 50V																																																																																																																																																																																																																																																																																																																	
C1156	403	049	4204	ELECT	10U	M 50V																																																																																																																																																																																																																																																																																																																	
C1157	403	068	0419	CERAMI C	0.1U	Z 25V																																																																																																																																																																																																																																																																																																																	
C1158	403	049	4204	ELECT	10U	M 50V																																																																																																																																																																																																																																																																																																																	
C1159	403	068	0419	CERAMI C	0.1U	Z 25V																																																																																																																																																																																																																																																																																																																	
C116	403	073	7311	CERAMI C	470P	K 50V																																																																																																																																																																																																																																																																																																																	
C1160	403	269	5916	CERAMI C	0.22U	K 16V																																																																																																																																																																																																																																																																																																																	
C117	403	069	1712	CERAMI C	1000P	K 50V																																																																																																																																																																																																																																																																																																																	
C118	403	069	1712	CERAMI C	1000P	K 50V																																																																																																																																																																																																																																																																																																																	
C120	403	068	0419	CERAMI C	0.1U	Z 25V																																																																																																																																																																																																																																																																																																																	
C123	403	009	5718	CERAMI C	100P	J 50V																																																																																																																																																																																																																																																																																																																	
C1351	403	049	4204	ELECT	10U	M 50V																																																																																																																																																																																																																																																																																																																	
C1352	403	069	9510	CERAMI C	CHIP	0.01 Z 50V																																																																																																																																																																																																																																																																																																																	
C1353	403	051	0607	ELECT	4.7U	M 50V																																																																																																																																																																																																																																																																																																																	
C1354	403	051	0607	ELECT	4.7U	M 50V																																																																																																																																																																																																																																																																																																																	
C1355	403	314	5915	SMD CAP	GRM40X5R474K16																																																																																																																																																																																																																																																																																																																		
C1356	023	019	0704	CERAMI C	8PF. +/- 0.5PF.	50V																																																																																																																																																																																																																																																																																																																	
C1358	403	068	0419	CERAMI C	0.1U	Z 25V																																																																																																																																																																																																																																																																																																																	
C1359	403	069	9510	CERAMI C	CHIP	0.01 Z 50V																																																																																																																																																																																																																																																																																																																	
C1360	403	009	5718	CERAMI C	100P	J 50V																																																																																																																																																																																																																																																																																																																	
C200	403	049	4204	ELECT	10U	M 50V																																																																																																																																																																																																																																																																																																																	
C201	403	024	2112	CERAMI C	39P	J 50V																																																																																																																																																																																																																																																																																																																	
C202	403	069	1712	CERAMI C	1000P	K 50V																																																																																																																																																																																																																																																																																																																	

Ref. No.	Part No.	Description	Ref. No.	Part No.	Description
C203	403 192 5915	CERAMI C 0.1U K 25V	C429	403 009 5718	CERAMI C 100P J 50V
C204	403 192 5915	CERAMI C 0.1U K 25V	C430	403 009 5718	CERAMI C 100P J 50V
C205	023 074 0003	CERAMI C SMD 2, 2 MF. 10V	C431	403 009 5718	CERAMI C 100P J 50V
C206	403 024 2112	CERAMI C 39P J 50V	C433	403 009 5718	CERAMI C 100P J 50V
C207	403 049 4204	ELECT 10U M 50V	C435	403 130 3119	CERAMI C 0.047U K 50V
C209	403 069 9510	CERAMI C CHIP 0.01Z 50V	C437	403 069 1712	CERAMI C 1000P K 50V
C250	403 068 0419	CERAMI C 0.1U Z 25V	C438	403 069 1712	CERAMI C 1000P K 50V
C251	403 195 8804	ELECT 100U M 16V	C439	403 069 9510	CERAMI C CHIP 0.01 Z 50V
C256	403 069 9510	CERAMI C CHIP 0.01 Z 50V	C440	023 018 0200	CERAMI C SMD 33 PF. 1% 50V
C258	403 069 9510	CERAMI C CHIP 0.01 Z 50V	C600	403 066 2009	MT- POLYEST 0.1U K 250V
C259	403 068 0419	CERAMI C 0.1U Z 25V	C601	403 254 0711	MT- POLYEST .0022UF 400V
C260	403 248 1618	ELECT 47U M 16V	C602	027 010 1322	MET. POL. CAP. 1000PF. 5%400V
C261	023 015 0203	CERAMI C SMD 18 PF. 1% 50V	C603	403 130 3119	CERAMI C 0.047U K 50V
C264	023 015 0203	CERAMI C SMD 18 PF. 1% 50V	C604	403 207 0317	C SMD 1MF16V 023-07202/03
C265	023 015 0203	CERAMI C SMD 18 PF. 1% 50V	C606	403 217 1103	ELECT 22U M 50V
C300	403 161 2607	ELECT 2200U M 35V	C607	403 192 5915	CERAMI C 0.1U K 25V
C301	403 069 9510	CERAMI C CHIP 0.01 Z 50V	C630	026 034 2100	COND. POL. 150NF .3, 5% 250V
C303	403 200 1702	ELECT 47U M 50V	C631	403 072 1617	CERAMI C 0.022U K 50V
C304	403 069 1712	CERAMI C 1000P K 50V	C650	026 026 0179	POLYPR. CAP. 22 NF. 5% 1KV
C305	403 069 1712	CERAMI C 1000P K 50V	C651	026 022 3003	POLYPRO 15 NF. 3, 5% 1600V
C306	403 069 1712	CERAMI C 1000P K 50V	C652	026 040 0809	COND. POL. 330NF. 3, 5% 250V
C307	403 069 1712	CERAMI C 1000P K 50V	C653	027 044 1009	COND. POL. MET .680NF5% 100V
C308	403 069 1712	CERAMI C 1000P K 50V	C655	026 016 0403	POLYPR. CAP. 3, 3NF. 1, 6KV 3, 5%
C309	403 119 1409	ELECT 2.2U M 100V	C656	026 030 1106	COND. POLIP. 68NF. 10% 100V
C310	403 119 1409	ELECT 2.2U M 100V	C657	403 165 6126	CERAMI C 470P K 1K
C311	403 168 7100	ELECT 2200U M 16V	C658	023 026 0705	CER SMD 150 PF. 10% 630V
C312	403 168 7100	ELECT 2200U M 16V	C659	025 013 9508	ELECT 330 MF. 200V
C313	403 068 0419	CERAMI C 0.1U Z 25V	C660	023 034 0408	CER SMD 680 PF. 10% 630V
C314	403 068 0419	CERAMI C 0.1U Z 25V	C661	403 260 0801	250MW4R7HPC
C319	403 217 1103	ELECT 22U M 50V	C663	403 086 5509	NP- ELECT 2.2U M 50V
C320	403 217 1103	ELECT 22U M 50V	C664	403 026 2813	CERAMI C 47P J 50V
C321	403 195 8804	ELECT 100U M 16V	C666	403 314 5915	SMD CAP GRM40X5R474K16
C352	403 200 1707	ELECT 47U M 50V	C668	403 260 0801	250MW4R7HPC
C353	403 200 1707	ELECT 47U M 50V	C669	023 034 0408	CER SMD 680 PF. 10% 630V
C354	403 068 0419	CERAMI C 0.1U Z 25V	C670	403 066 2009	MT- POLYEST 0.1U K 250V
C355	403 068 0419	CERAMI C 0.1U Z 25V	C673	403 066 2009	MT- POLYEST 0.1U K 250V
C356	403 200 6722	ELECT 220U M 16V	C674	403 072 1617	CERAMI C 0.022U K 50V
C357	403 195 8804	ELECT 100U M 16V	C675	403 192 5915	CERAMI C 0.1U K 25V
C359	403 069 9510	CERAMI C CHIP 0.01 Z 50V	C680	403 314 5915	SMD CAP GRM40X5R474K16
C360	403 009 5718	CERAMI C 100P J 50V	C682	403 314 5915	SMD CAP GRM40X5R474K16
C361	403 195 8804	ELECT 100U M 16V	C683	403 248 1618	ELECT 47U M 16V
C362	023 016 0301	CERAMI C 22PF 1% 50V	C700	403 109 0900	ELECT 10U M 100V
C363	023 016 0301	CERAMI C 22PF 1% 50V	C701	403 200 1707	ELECT 47U M 50V
C364	403 009 5718	CERAMI C 100P J 50V	C702	403 068 0419	CERAMI C 0.1U Z 25V
C365	403 009 5718	CERAMI C 100P J 50V	C703	403 237 8057	MT- COMPO 0.1U J 50V
C400	403 195 8804	ELECT 100U M 16V	C705	403 069 1712	CERAMI C 1000P K 50V
C402	023 074 0003	CERAMI C SMD 2, 2 MF. 10V	C706	403 069 1712	CERAMI C 1000P K 50V
C403	403 072 1617	CERAMI C 0.022U K 50V	C710	403 075 8019	CERAMI C 0.01U K 500V
C405	403 069 1712	CERAMI C 1000P K 50V	C712	403 237 8057	MT- COMPO 0.1U J 50V
C406	403 192 5915	CERAMI C 0.1U K 25V	C751	403 069 9510	CERAMI C CHIP 0.01 Z 50V
C408	403 072 1617	CERAMI C 0.022U K 50V	C753	403 260 0801	250MW4R7HPC
C409	403 072 1617	CERAMI C 0.022U K 50V	C802	403 222 1303	CERAMI C 1000P K 1K
C410	403 072 1617	CERAMI C 0.022U K 50V	C803	403 222 1303	CERAMI C 1000P K 1K
C411	023 015 0203	CERAMI C SMD 18 PF. 1% 50V	C804	403 222 1303	CERAMI C 1000P K 1K
C412	403 192 5915	CERAMI C 0.1U K 25V	C805	403 222 1303	CERAMI C 1000P K 1K
C413	403 073 0015	CERAMI C 3300P K 50V	C807	403 130 3119	CERAMI C 0.047U K 50V
C414	403 072 1617	CERAMI C 0.022U K 50V	C809	403 217 1103	ELECT 22U M 50V
C415	403 190 3705	ELECT 1000U M 16V	C810	025 050 3612	ELECT. CAP 220 MF 385V
C416	403 192 5915	CERAMI C 0.1U K 25V	C811	403 026 7511	CERAMI C 470P J 50V
C417	403 071 8112	CERAMI C 2200P K 50V	△C812	404 073 3904	CER 1000P M KX 250V
C419	403 026 2813	CERAMI C 47P J 50V	C814	403 074 9512	CERAMI C 680P K 50V
C420	403 207 0317	C SMD 1MF16V 023-07202/03	C815	403 068 0419	CERAMI C 0.1U Z 25V
C421	403 073 9117	CERAMI C 4700P K 50V	△C816	404 073 3904	CER 1000P M KX 250V
C422	403 069 9510	CERAMI C CHIP 0.01 Z 50V	C817	023 030 0303	CER SMD 330 PF. 10% 630V
C423	403 069 1712	CERAMI C 1000P K 50V	C818	023 030 0303	CER SMD 330 PF. 10% 630V
C424	403 069 9510	CERAMI C CHIP 0.01 Z 50V	C819	023 030 0402	CER. CAPASMD 330PF. 10% 1KV
C425	027 034 2603	POLI CAR 100 NF. 5% 63V	C830	403 217 1103	ELECT 22U M 50V
C426	403 068 0419	CERAMI C 0.1U Z 25V	C833	023 072 0302	CERAMI C SMD1MF. 25V. +80 20%
C427	403 192 5915	CERAMI C 0.1U K 25V	C850	024 046 0501	CER CAP. 180 PF. 5% 1KV
C428	403 009 5718	CERAMI C 100P J 50V	C854	403 048 6308	ELECT 0.47U M 50V

Ref. No.	Part No.	Description	Ref. No.	Part No.	Description
C855	403 068 0419	CERAMIC 0.1U Z 25V	D600	036 060 1504	DIODE SMD MCL4148 MICRO
C856	025 013 2743	ELECT 100 MF. 200V	D601	036 060 4003	ZENER DIODE BZX284C33
C857	403 154 1917	ELECT 1000U M 35V	D612	036 037 7501	SKY DIODE AK03 V1 30V 1A
C858	403 218 8101	ELECT 1000U M 25V	D630	036 060 3401	ZENER DIODE BZX284C15
C859	403 228 8900	ELECT 100U M 50V	△ D650	407 095 8001	DIODE ERD07-15L
C860	403 194 4322	ELECT 3300U M 16V	D651	407 007 7415	DIODE EU1
C861	403 194 4609	ELECT 470U M 16V	D652	407 009 8806	DIODE RU3AM
C862	403 069 9510	CERAMIC CHIP 0.01 Z 50V	△ D653	407 006 4128	DIODE ERB44-04V1
C863	403 069 1712	CERAMIC 1000P K 50V	D654	408 007 8607	DIODE 1N4148
C865	403 036 2513	CERAMIC 47P K 500V	D655	036 060 4003	ZENER DIODE BZX284C33
C866	403 049 4204	ELECT 10U M 50V	D658	036 060 1504	DIODE SMD MCL4148 MICRO
C867	403 068 0419	CERAMIC 0.1U Z 25V	D659	408 007 8607	DIODE 1N4148
C868	403 248 1618	ELECT 47U M 16V	D660	036 060 1504	DIODE SMD MCL4148 MICRO
C869	403 049 4204	ELECT 10U M 50V	D661	036 060 3401	ZENER DIODE BZX284C15
C870	403 049 4204	ELECT 10U M 50V	D662	036 060 1504	DIODE SMD MCL4148 MICRO
C871	403 069 1712	CERAMIC 1000P K 50V	D663	407 007 7415	DIODE EU1
C872	403 068 0419	CERAMIC 0.1U Z 25V	D663	407 007 7811	IODE EU2Z
C873	403 194 4609	ELECT 470U M 16V	D672	036 060 1504	DIODE SMD MCL4148 MICRO
C874	403 190 3705	ELECT 1000 M 16V	D674	036 060 3401	ZENER DIODE BZX284C15
C875	403 068 0419	CERAMIC 0.1U Z 25V	D675	036 060 1504	DIODE SMD MCL4148 MICRO M
C876	403 192 5915	CERAMIC 0.1U K 25V	D680	036 060 5901	ZENER DIODE BZX284-C27
C877	403 194 4609	ELECT 470U M 16V	D683	036 060 1504	DIODE SMD MCL4148 MICRO
C900	403 073 7311	CERAMIC 470P K 50V	D700	036 060 1504	DIODE SMD MCL4148 MICRO
C901	403 073 7311	CERAMIC 470P K 50V	D701	036 060 1504	DIODE SMD MCL4148 MICRO
C902	403 073 7311	CERAMIC 470P K 50V	D702	408 007 8607	DIODE 1N4148
C903	403 073 7311	CERAMIC 470P K 50V	D703	407 147 9208	ZENER DIODE BZX79C33
C904	403 073 7311	CERAMIC 470P K 50V	D704	036 060 1504	DIODE SMD MCL4148 MICRO
C905	403 073 7311	CERAMIC 470P K 50V	D705	DZBZX79C12--A	ZENER DIODE 12V +-5%
C906	403 073 7311	CERAMIC 470P K 50V	D750	036 060 1504	DIODE SMD MCL4148 MICRO
C907	403 049 4204	ELECT 10U M 50V	D751	036 010 3501	ZENER DIODE BZX79C5V6
C913	403 009 5718	CERAMIC 100P J 50V	D752	036 060 1504	DIODE SMD MCL4148 MICRO
C914	403 009 5718	CERAMIC 100P J 50V	D753	036 060 1504	DIODE SMD MCL4148 MICRO
C917	403 009 5718	CERAMIC 100P J 50V	D800	407 006 6310	DIODE ERC05-10B
C918	403 068 0419	CERAMIC 0.1U Z 25V	D801	407 006 6310	DIODE ERC05-10B
C920	403 049 4204	ELECT 10U M 50V	D802	407 006 6310	DIODE ERC05-10B
C921	403 049 4204	ELECT 10U M 50V	D803	407 006 6310	DIODE ERC05-10B
C923	403 049 4204	ELECT 10U M 50V	D807	036 060 1504	DIODE SMD MCL4148 MICRO
C924	401 037 5014	MF-GLAZE 0.000 ZA 1/10W	D808	407 007 7811	DIODE EU2Z
C925	403 073 7311	CERAMIC 470P K 50V	D809	036 060 1504	DIODE SMD MCL4148 MICRO
C926	403 248 1618	ELECT 47U M 16V	D811	036 060 1504	DIODE SMD MCL4148 MICRO
C927	403 207 0317	C SMD 1MF16V 023-07202/03	D812	036 037 7501	SKY DIODE AK03 V1 30V 1A
C928	403 248 1618	ELECT 47U M 16V	D830	036 060 1504	DIODE SMD MCL4148 MICRO
C929	403 248 1410	ELECT 1U M 50V	D831	407 007 7811	DIODE EU2Z
C930	403 248 1618	ELECT 47U M 16V	D832	036 060 4607	ZENER DIODE BZX284C10
C931	403 248 1618	ELECT 47U M 16V	△ D850	407 189 1901	DIODE RU4BLF 036-03744/09
C932	403 207 0317	C SMD 1MF16V 023-07202/03	△ D851	036 037 6008	DIODE RN4Z LFT3
C933	403 207 0317	C SMD 1MF16V 023-07202/03	D852	036 037 7303	DIODE SKY ERB84009 90V 2A
C934	403 049 4204	ELECT 10U M 50V	D853	407 007 7613	DIODE EU2
C935	403 049 4204	ELECT 10U M 50V	D854	407 007 7811	DIODE EU2Z
C936	403 049 4204	ELECT 10U M 50V	D855	036 037 7303	DIODE SKY ERB84009 90V 2A
C937	403 049 4204	ELECT 10U M 50V	D856	407 007 7712	DIODE EU2A
C938	403 248 1618	ELECT 47U M 16V	D857	036 060 2908	ZENER DIODE BXZ284C12
			D860	036 060 1801	ZENER DIODE BZX284C5V1
			D861	036 060 1702	ZENER DIODE BZX284C4V7
			D863	036 060 1504	DIODE SMD MCL4148 MICRO
			D864	036 060 5109	ZENER DIODE BZM55C18
			D865	036 060 1504	DIODE SMD MCL4148 MICRO
			D866	036 060 3708	ZENER DIODE BZX284C5V6
			D868	036 060 1504	DIODE SMD MCL4148 MICRO
			D869	036 060 1504	DIODE SMD MCL4148 MICRO
			D870	408 007 8607	DIODE 1N4148
			D871	408 007 8607	DIODE 1N4148
			D872	036 000 5508	ZENER DIODE BZX79C9V18
			D873	036 060 1504	DIODE SMD MCL4148 MICRO
			D874	036 060 1504	DIODE SMD MCL4148 MICRO
			D875	036 060 1801	ZENER DIODE BZX284C5V1
			D879	408 007 8607	DIODE 1N4148
			D880	036 060 1702	ZENER DIODE BZX284C4V7
			D900	036 060 1801	ZENER DIODE BZX284C5V1
			D901	036 060 1801	ZENER DIODE BZX284C5V1
<b>DIODE</b>					
D100	408 007 8607	DIODE 1N4148			
D101	036 060 6206	ZENER DIODE BZX284-C4V3			
D102	036 060 1801	ZENER DIODE BZX284C5V1			
D103	036 060 1504	DIODE SMD MCL4148 MICRO			
D104	036 060 1504	DIODE SMD MCL4148 MICRO			
D109	036 060 1504	DIODE SMD MCL4148 MICRO			
D1150	036 060 1504	DIODE SMD MCL4148 MICRO			
D250	409 026 8005	IC L5630			
D300	036 060 1702	ZENER DIODE BZX284C4V7			
D301	036 060 1702	ZENER DIODE BZX284C4V7			
D302	036 060 1504	DIODE SMD MCL4148 MICRO			
D350	036 060 1504	DIODE SMD MCL4148 MICRO			
D351	036 060 1504	DIODE SMD MCL4148 MICRO			
D400	036 060 1504	DIODE SMD MCL4148 MICRO			
D401	036 060 1702	ZENER DIODE BZX284C4V7			
D402	036 060 1504	DIODE SMD MCL4148 MICRO			

Ref. No.	Part No.	Description	Ref. No.	Part No.	Description
D902	036 060 1801	ZENER DIODE BZX284C5V1	L404	062 001 1502	FER SMD 0603 6000HM20 MHZ
D903	036 060 1801	ZENER DIODE BZX284C5V1	L405	645 001 5656	PEAKING COIL 4.7UH K
D904	036 060 1801	ZENER DIODE BZX284C5V1	L406	645 001 4550	PEAKING COIL 10UHK
D905	036 060 1801	ZENER DIODE BZX284C5V1	L407	645 001 4550	PEAKING COIL 10UHK
D906	036 060 1801	ZENER DIODE BZX284C5V1	L408	645 001 4550	PEAKING COIL 10UHK
D908	036 060 1801	ZENER DIODE BZX284C5V1	L409	645 007 9818	COIL 22UHK LAL03TA220K
D909	036 060 1801	ZENER DIODE BZX284C5V1	L600	645 026 1299	COL 3R3H2R6 009-08172/0.6
D910	036 060 1801	ZENER DIODE BZX284C5V1	L651	009 080 4105	COIL AX 1, 3MH. +- 10% 1, 5A
D917	036 060 1801	ZENER DIODE BZX284C5V1	L652	009 020 7408	LIN COIL FIJA 33713
			L654	645 026 1152	COL 12KH1R8 009-08173/0.5
			L663	009 020 7200	COIL 3, 3 MH. 10% 0, 175 A
			L700	645 008 1415	PEAKING COIL
			L701	645 026 1299	COL 3R3H2R6 009-08172/0.6
			L702	009 081 7206	COIL AXIAL 3, 3UH. 10% 2, 6A
			L750	009 050 2602	E/W COIL 5, 5 MH. 10%
			L802	062 000 5504	F-BEAD 80 OHM/100 MHZ
			L804	062 000 5504	F-BEAD 80 OHM/100 MHZ
			L805	062 000 5504	F-BEAD 80 OHM/100 MHZ
			L850	062 000 5108	PIPE CORE HF55BTL
			L851	645 006 8393	PEAKING COIL 100UHK
			L852	062 000 5108	FER. SMD
			L853	062 000 5116	PIPE CORE HF55BTL
			L854	062 000 5116	PIPE CORE HF55BTL
			L855	062 000 5116	PIPE CORE HF55BTL
			L856	062 000 5116	PIPE CORE HF55BTL
			L857	645 026 1152	COIL 12KH1R8
			L858	645 026 1152	COIL 12KH1R8
			L859	645 026 1152	COIL 12KH1R8
			L860	645 026 1152	COIL 12KH1R8
			L861	645 006 8393	PEAKING COIL 100UH K
			L903	645 001 5656	PEAKING COIL 4.7UH K
			L904	645 001 4550	PEAKING COIL 10UHK
			L905	062 001 1502	FER. SMD 0603 6000HM20 MHZ
<b>INTERGRATED CIRCUIT</b>			<b>TRANSISTOR</b>		
IC100	036 051 5316	IC SAA5563PSM30053	Q100	405 109 4407	TRANSISTOR SMD BC 848 B
IC1150	409 018 3902	IC LA6393D	Q104	405 109 4407	TRANSISTOR SMD BC 848 B
IC1151	410 260 8300	IC M34225M1-548SP	Q105	405 109 4407	TRANSISTOR SMD BC 848 B
IC125	036 071 1303	SMD IC SLA 24C08SR	Q106	405 109 4407	TRANSISTOR SMD BC 848 B
IC1350	036 047 2203	IC U4468B M	Q1150	405 109 4407	TRANSISTOR SMD BC 848 B
IC300	409 301 4906	IC TDA7263M	Q1151	405 109 4407	TRANSISTOR SMD BC 848 B
IC350	036 047 2609	IC KA2209B	Q1152	405 109 4407	TRANSISTOR SMD BC 848 B
IC350	409 194 6605	IC TDA2822M	Q1153	405 109 4407	TRANSISTOR SMD BC 848 B
IC400	036 051 4301	IC TDA8843 N2	Q1154	405 109 4407	TRANSISTOR SMD BC 848 B
IC701	036 051 4715	IC TDA 8351AQ N6	Q1156	036 030 8803	TRANSISTOR PMBT2369 SOT23
IC800	036 046 7609	IC STRF6653	Q1354	405 109 4407	TR BC848 - LOOSE SMD
△ IC801	036 049 1203	IC OPTO TCET1101G	Q200	405 109 4407	TR BC848 - LOOSE SMD
IC850	036 037 8715	IC KA431AZTA T092	Q201	405 109 4506	TR BC858 - LOOSE SMD
IC851	036 047 2500	IC KA78L09AZTA T0920	Q202	405 109 4506	TR BC858 - LOOSE SMD
IC852	036 047 3409	IC LD1117V33C T0220	Q203	405 109 4407	TR BC848 - LOOSE SMD
IC853	036 047 2708	IC KA78R08TU	Q255	036 032 0410	TRANSISTOR SMD BF 570
△ IC854	036 047 2807	IC KA78R05STU	Q256	405 142 7225	TR DTC124TKA-T146
IC900	409 146 7209	IC LA7222	Q300	405 109 4407	TR BC848 - LOOSE SMD
			Q350	405 142 7225	TR DTC124TKA-T146
			Q351	405 142 7225	TR DTC124TKA-T146
			Q400	405 109 4407	TR BC848 - LOOSE SMD
			Q600	036 030 8704	TRANSISTOR KSP 44 T092
			Q601	036 030 8605	TRANSISTOR KSP 92 T092
			Q602	036 030 8506	TRANSISTOR KSP 42 T092
			Q603	405 142 7225	TR DTC124TKA-T146
			Q604	405 109 4506	TR BC858 - LOOSE SMD
			Q630	036 031 0908	TRANSISTOR MOS 2SK 2230
			Q631	036 030 8506	TRANSISTOR KSP 42 T092
			Q650	036 030 6708	TRANSISTOR S 2055 N
			Q651	405 109 4407	TR BC848 - LOOSE SMD
			Q652	405 109 4407	TR BC848 - LOOSE SMD
			Q653	036 030 8605	TRANSISTOR KSP 92 T092
			Q673	405 109 4407	TR BC848 - LOOSE SMD
			Q674	036 030 8506	TRANSISTOR KSP 42 T092
			Q675	036 030 8506	TRANSISTOR KSP 42 T092
<b>MISCELLANEOUS</b>					
J-268	645 001 4550	PEAKING COIL 10UHK			
JP3	401 037 5014	MF-GLAZE 0.000 ZA 1/10W			
K9A	645 005 8578	SOCKET, 8P			
K9B	645 005 8615	SOCKET, 12P			
SCR850	036 030 7003	TIRISTOR X0402DE 400V/4A			
SF1350	421 004 3208	SAW F OFW K9260M			
SF200	009 041 3204	SAW FILTER K3953M			
S900	610 234 3779	SOCKET 21P			
S901	645 005 5874	21-PIN SOCKET			
TU250	085 010 3102	TUNER UV1316/A. I-2			
T600	094 020 0801	DRIVER TRANS 800T20T			
△ T650	094 010 9002	FBT 16/9 MBO EB5-W			
△ T800	093 010 7008	SWITCH MODE TRANS			
VR850	077 051 1103	POTENTIOMETER 220 OHM			
X100	645 018 9593	OSC. CRYSTAL 12MHZ			
X1150	610 012 2857	C OSC CST4.0 009-04115/05			
X400	645 025 2631	OSC. CRYSTAL 4.43MHZ			
<b>COIL</b>					
L100	645 008 1415	PEAKING COIL			
L102	645 008 1415	PEAKING COIL			
L103	062 000 5108	PIPE CORE HF55BTL 3, 5X4, 5			
L1054	401 037 5014	MF-GLAZE 0.000 ZA 1/10W			
L1150	645 007 9108	PEAKING COIL 330UH K			
L1151	645 001 5656	PEAKING COIL 4.7UH K			
L1152	645 001 5656	PEAKING COIL 4.7UH K			
L1350	645 001 5656	PEAKING COIL 4.7UH K			
L1351	009 020 6806	ADJ COIL 292XNS4051Z			
L1352	645 001 5656	PEAKING COIL 4.7UH K			
L201	645 007 9634	PEAKING COIL			
L250	645 008 1415	PEAKING COIL			
L251	645 001 4673	COIL 1ROUH 10% LAL03TA1R0			
L252	009 035 0307	CHIP COIL 0, 39UH. 10%			
L300	645 026 1152	COL 12KH1R8 009-08173/0.5			
L303	062 000 5504	FERB 3, 5X6 80 OHM100 MHZ			
L304	062 000 5504	FERB 3, 5X6 80 OHM100 MHZ			
L400	645 001 5656	PEAKING COIL 4.7UH K			
L401	645 001 5656	PEAKING COIL 4.7UH K			
L402	645 001 5656	PEAKING COIL 4.7UH K			
L403	645 001 5656	PEAKING COIL 4.7UH K			



Ref. No.	Part No.	Description	Ref. No.	Part No.	Description
Q700	405 109 4506	TR BC858 - LOOSE SMD	R124	401 024 6720	CARBON 100 JA 1/6W
Q750	405 078 8109	TR TIP32B	R125	401 038 6218	MT- GLAZE 47 JA 1/10W
Q751	405 142 7225	TR DTC124TKA- T146	R126	401 038 6218	MT- GLAZE 47 JA 1/10W
Q752	036 030 8605	TRANSISTOR KSP 92 T092	R127	401 038 6218	MT- GLAZE 47 JA 1/10W
Q754	036 030 8506	TRANSISTOR KSP 42 T092	R128	401 038 6416	MT- GLAZE 4.7K JA 1/10W
Q830	405 109 4506	TR BC858 - LOOSE SMD	R129	401 038 6515	MT- GLAZE 47K JA 1/10W
Q831	405 109 4506	TR BC858 - LOOSE SMD	R130	401 037 7919	MT- GLAZE 1.5K JA 1/10W
Q832	405 109 4506	TR BC858 - LOOSE SMD	R131	079 075 5706	MT- GLAZE 23,7KOHM 1% 1/8W
Q850	405 109 4407	TR BC848 - LOOSE SMD	R132	401 038 4917	MT- GLAZE 39 JA 1/10W
Q851	405 142 7225	TR DTC124TKA- T146	R133	401 038 6416	MT- GLAZE 4.7K JA 1/10W
Q852	405 109 4407	TR BC848 - LOOSE SMD	R134	401 024 6720	CARBON 100 JA 1/6W
Q853	405 109 4506	TR BC858 - LOOSE SMD	R135	401 037 5212	MT- GLAZE 100 JA 1/10W
Q854	405 109 4506	TR BC858 - LOOSE SMD	R1356	401 037 7810	MT- GLAZE 150 JA 1/10W
Q855	405 109 4407	TR BC848 - LOOSE SMD	R136	401 037 5212	MT- GLAZE 100 JA 1/10W
Q856	405 109 4407	TR BC848 - LOOSE SMD	R1360	401 025 3827	CARBON 180 JA 1/6W
Q857	405 142 7225	TR DTC124TKA- T146	R1361	401 038 3514	MT- GLAZE 330 JA 1/10W
Q858	405 142 7225	TR DTC124TKA- T146	R1362	401 038 6317	MT- GLAZE 470 JA 1/10W
Q900	405 109 4407	TR BC848 - LOOSE SMD	R137	401 024 6720	CARBON 100 JA 1/6W
Q901	405 109 4407	TR BC848 - LOOSE SMD	R138	401 024 6720	CARBON 100 JA 1/6W
Q903	405 109 4506	TR BC858 - LOOSE SMD	R139	401 037 6813	MT- GLAZE 12K JA 1/10W
Q904	036 030 8803	TRANSISTOR PMBT2369 SOT23	R140	401 037 5212	MT- GLAZE 100 JA 1/10W
Q905	036 030 8803	TRANSISTOR PMBT2369 SOT23	R141	401 037 5212	MT- GLAZE 100 JA 1/10W
Q906	036 030 8803	TRANSISTOR PMBT2369 SOT23	R142	401 024 6720	CARBON 100 JA 1/6W
			R143	401 038 6416	MT- GLAZE 4.7K JA 1/10W
			R144	401 038 6416	MT- GLAZE 4.7K JA 1/10W
			R145	401 037 5212	MT- GLAZE 100 JA 1/10W
			R146	401 037 5212	MT- GLAZE 100 JA 1/10W
			R147	401 038 0810	MT- GLAZE 22K JA 1/10W
			R148	401 037 5618	MT- GLAZE 10K JA 1/10W
			R149	401 038 6416	MT- GLAZE 4.7K JA 1/10W
			R150	401 038 6416	MT- GLAZE 4.7K JA 1/10W
			R151	401 037 5410	MT- GLAZE 1K JA 1/10W
			R152	401 037 5618	MT- GLAZE 10K JA 1/10W
			R153	401 038 6416	MT- GLAZE 4.7K JA 1/10W
			R154	401 037 5212	MT- GLAZE 100 JA 1/10W
			R155	401 0375 212	MT- GLAZE 100 JA 1/10W
			R157	401 040 0518	MT- FILM 100 OHM 1% 0, 4W
			R158	401 040 0518	MT- FILM 100 OHM 1% 0, 4W
			R159	401 040 0518	MT- FILM 100 OHM 1% 0, 4W
			R160	401 025 8228	CARBON 22K JA 1/6W
			R161	401 038 6317	MT- GLAZE 470 JA 1/10W
			R162	401 038 0810	MT- GLAZE 22K JA 1/10W
			R163	401 038 0810	MT- GLAZE 22K JA 1/10W
			R165	401 037 5212	MT- GLAZE 100 JA 1/10W
			R166	401 039 0413	MT- GLAZE 8.2K JA 1/10W
			R167	401 037 5212	MT- GLAZE 100 JA 1/10W
			R168	401 037 5618	MT- GLAZE 10K JA 1/10W
			R169	401 038 6416	MT- GLAZE 4.7K JA 1/10W
			R170	401 038 6416	MT- GLAZE 4.7K JA 1/10W
			R171	401 038 0810	MT- GLAZE 22K JA 1/10W
			R172	401 037 5212	MT- GLAZE 100 JA 1/10W
			R173	401 037 5410	MT- GLAZE 1K JA 1/10W
			R174	401 026 9620	CARBON 470 JA 1/6W
			R175	401 037 5410	MT- GLAZE 1K JA 1/10W
			R176	401 037 5410	MT- GLAZE 1K JA 1/10W
			R200	401 037 5410	MT- GLAZE 1K JA 1/10W
			R201	401 016 2644	CARBON 220 JA 1/4W
			R202	401 038 6317	MT- GLAZE 470 JA 1/10W
			R203	401 038 0612	MT- GLAZE 220 JA 1/10W
			R204	401 038 3514	MT- GLAZE 330 JA 1/10W
			R205	401 038 6416	MT- GLAZE 4.7K JA 1/10W
			R206	401 038 0612	MT- GLAZE 220 JA 1/10W
			R207	401 038 6218	MT- GLAZE 47 JA 1/10W
			R208	401 038 6218	MT- GLAZE 47 JA 1/10W
			R211	401 024 7024	CARBON 1K JA 1/6W
			R212	401 038 5013	MT- GLAZE 390 JA 1/10W
			R213	401 038 6317	MT- GLAZE 470 JA 1/10W
			R214	401 038 6317	MT- GLAZE 470 JA 1/10W
			R215	401 038 0612	MT- GLAZE 220 JA 1/10W
			R216	401 037 5410	MT- GLAZE 1K JA 1/10W
<b>RESISTOR</b>					
R100	401 037 5618	MT- GLAZE 10K JA 1/10W			
R101	401 037 5717	MT- GLAZE 100K JA 1/10W			
R102	401 024 6720	CARBON 100 JA 1/6W			
R103	401 024 6720	CARBON 100 JA 1/6W			
R104	401 037 5212	MT- GLAZE 100 JA 1/10W			
R105	401 037 5212	MT- GLAZE 100 JA 1/10W			
R106	401 024 6720	CARBON 100 JA 1/6W			
R107	401 024 6720	CARBON 100 JA 1/6W			
R108	401 037 5212	MT- GLAZE 100 JA 1/10W			
R109	401 037 5212	MT- GLAZE 100 JA 1/10W			
R110	401 024 6720	CARBON 100 JA 1/6W			
R112	401 024 6720	CARBON 100 JA 1/6W			
R113	401 024 6720	CARBON 100 JA 1/6W			
R114	401 158 1612	MT- GLAZE 24K FA 1/10W			
R1150	079 054 2518	OXIDE-MT 33 OHM 5% 2W			
R1151	401 038 6317	MT- GLAZE 470 JA 1/10W			
R1152	401 038 6317	MT- GLAZE 470 JA 1/10W			
R1153	401 038 6416	MT- GLAZE 4.7K JA 1/10W			
R1154	401 037 6615	MT- GLAZE 120 JA 1/10W			
R1155	401 038 9011	MT- GLAZE 680 JA 1/10W			
R1156	401 038 5013	MT- GLAZE 390 JA 1/10W			
R1157	401 038 0919	MT- GLAZE 220K JA 1/10W			
R1158	401 038 6317	MT- GLAZE 470 JA 1/10W			
R1159	401 038 6416	MT- GLAZE 4.7K JA 1/10W			
R116	401 024 6720	CARBON 100 JA 1/6W			
R1160	401 038 0810	MT- GLAZE 22K JA 1/10W			
R1161	401 037 5618	MT- GLAZE 10K JA 1/10W			
R1162	401 037 7919	MT- GLAZE 1.5K JA 1/10W			
R1163	401 038 0810	MT- GLAZE 22K JA 1/10W			
R1164	401 038 0810	MT- GLAZE 22K JA 1/10W			
R1165	401 027 0329	CARBON 47K JA 1/6W			
R1166	401 038 6416	MT- GLAZE 4.7K JA 1/10W			
R1167	401 037 5212	MT- GLAZE 100 JA 1/10W			
R1168	401 037 5717	MT- GLAZE 100K JA 1/10W			
R1169	401 037 5618	MT- GLAZE 10K JA 1/10W			
R117	401 038 5013	MT- GLAZE 390 JA 1/10W			
R1170	401 038 0919	MT- GLAZE 220K JA 1/10W			
R1171	401 037 5816	MT- GLAZE 1M JA 1/10W			
R1172	401 024 6720	CARBON 100 JA 1/6W			
R1174	401 024 6720	CARBON 100 JA 1/6W			
R1175	401 026 1020	CARBON 2K7 JA 1/6W			
R118	401 024 6720	CARBON 100 JA 1/6W			
R120	401 037 5212	MT- GLAZE 100 JA 1/10W			
R121	401 024 6720	CARBON 100 JA 1/6W			
R123	401 024 6720	CARBON 100 JA 1/6W			

Ref. No.	Part No.	Description	Ref. No.	Part No.	Description
R250	401 012 7049	CARBON 10K JA 1/4W	R438	401 038 1015	MT- GLAZE 2. 2M JA 1/10W
R251	401 024 6720	CARBON 100 JA 1/6W	R439	401 027 5225	CARBON 680 JA 1/6W
R252	401 024 6720	CARBON 100 JA 1/6W	R440	401 020 4720	CARBON 4. 7M JA 1/4W
R261	401 038 0513	MT- GLAZE 079- 02206/0. 2	R600	079 056 3902	OXI DE- MT 1, 8 KOHM 5% 1W
R262	401 037 5014	MT- GLAZE 0. 000 ZA 1/10W	△ R601	079 034 9039	OXI DE- MT 2, 2 KOHM 5% 2W
R263	401 038 5112	MT- GLAZE 3. 9K JA 1/10W	R602	401 038 3514	MT- GLAZE 330 JA 1/10W
R264	401 037 8015	MT- GLAZE 15K JA 1/10W	△ R603	079 034 4030	OXI DE- MT 1, 2 KOHM 5% 2W
R265	401 024 6720	CARBON 100 JA 1/6W	R604	401 038 5013	MT- GLAZE 390 JA 1/10W
R266	401 037 5410	MT- GLAZE 1K JA 1/10W	R605	401 038 6317	MT- GLAZE 470 JA 1/10W
R267	401 038 2111	MT- GLAZE 2. 7K JA 1/10W	△ R606	079 034 1531	OXI DE- MT 680 OHM 5% 2W
R268	401 026 9323	CARBON 47 JA 1/6W	R607	401 038 6218	MT- GLAZE 47 JA 1/10W
R269	401 038 6218	MT- GLAZE 47 JA 1/10W	R608	401 018 2840	CARBON 330 JA 1/4W
R270	401 038 6218	MT- GLAZE 47 JA 1/10W	R609	079 059 2307	MT- FILM 220 KOHM 1% 0, 6W
R271	401 038 3613	MT- GLAZE 3. 3K JA 1/10W	R610	401 038 0810	MT- GLAZE 22K JA 1/10W
R272	401 038 6218	MT- GLAZE 47 JA 1/10W	R611	401 025 2325	CARBON 150K JA 1/6W
R300	401 038 0810	MT- GLAZE 22K JA 1/10W	△ R612	079 052 3336	OXI DE- MT 1 OHM 5% 2W
R301	401 038 3712	MT- GLAZE 33K JA 1/10W	△ R613	079 056 7630	OXI DE- MT 3, 3 KOHM 5% 2W
R302	401 038 0711	MT- GLAZE 2. 2K JA 1/10W	R614	401 038 0711	MT- GLAZE 2. 2K JA 1/10W
R303	401 037 5618	MT- GLAZE 10K JA 1/10W	R615	401 038 6416	MT- GLAZE 4. 7K JA 1/10W
R304	401 025 7429	CARBON 220 JA 1/6W	R616	079 055 1113	OXI DE- MT 180 OHM 5% 1W
R305	401 037 5618	MT- GLAZE 10K JA 1/10W	R630	079 058 8131	OXI DE- MT 100KOHM 5% 1W
R306	401 025 7429	CARBON 220 JA 1/6W	R632	401 068 6110	OXI DE- MT 5. 6 JA 2W
R307	401 010 1514	CARBON 4. 7 JA 1/2W	R633	079 058 8131	OXI DE- MT 100KOHM 5% 1W
R308	401 010 1514	CARBON 4. 7 JA 1/2W	R634	401 037 5618	MT- GLAZE 10K JA 1/10W
R309	401 038 3613	MT- GLAZE 3. 3K JA 1/10W	R635	401 024 7430	CARBON 10K JA 1/6W
R310	401 038 3613	MT- GLAZE 3. 3K JA 1/10W	△ R650	079 052 6800	OXI DE- MT 1, 5 OHM 5% 2W
R311	401 038 6416	MT- GLAZE 4. 7K JA 1/10W	R651	079 020 4010	OXI DE- MT 0, 22 OHM 5% 2W
R312	401 038 6416	MT- GLAZE 4. 7K JA 1/10W	R652	079 055 9223	OXI DE- MT 820 OHM 5% 1W
R314	401 037 8015	MT- GLAZE 15K JA 1/10W	R653	079 030 9009	OXI DE- MT 3, 3 OHM 5% 2W
R315	401 037 8015	MT- GLAZE 15K JA 1/10W	R656	401 038 6515	MT- GLAZE 47K JA 1/10W
R352	401 038 5518	MT- GLAZE 4. 7 JA 1/10W	R657	401 037 9418	MT- GLAZE 180K JA 1/10W
R353	401 038 5518	MT- GLAZE 4. 7 JA 1/10W	R658	079 060 0001	MT- FILM 1 MOHM 1% 0, 6W
R354	079 053 6437	OXI DE- MT 10 OHM 5% 2W	R660	401 038 2111	MT- GLAZE 2. 7K JA 1/10W
R355	401 038 6416	MT- GLAZE 4. 7K JA 1/10W	R661	401 037 5618	MT- GLAZE 10K JA 1/10W
R356	401 038 6416	MT- GLAZE 4. 7K JA 1/10W	R662	401 025 7429	CARBON 220 JA 1/6W
R359	401 037 7919	MT- GLAZE 1. 5K JA 1/10W	R663	079 033 1201	OXI DE- MT 120 OHM 5% 2W
R360	401 038 3415	MT- GLAZE 33 JA 1/10W	R664	401 012 7049	CARBON OK JA 1/4W
R361	401 037 7919	MT- GLAZE 1. 5K JA 1/10W	△ R665	079 052 6800	OXI DE- MT 1, 5 OHM 5% 2W
R362	401 038 3415	MT- GLAZE 33 JA 1/10W	△ R666	401 064 1307	OXI DE- MT 0, 33 OHM 5% 2W
R400	401 024 6720	CARBON 100 JA 1/6W	R667	401 037 5410	MT- GLAZE 1K JA 1/10W
R401	401 024 6720	CARBON 100 JA 1/6W	R668	401 012 8145	CARBON 100K JA 1/4W
R402	401 024 7430	CARBON 10K JA 1/6W	R669	401 038 0810	MT- GLAZE 22K JA 1/10W
R403	401 037 5212	MT- GLAZE 100 JA 1/10W	R670	401 037 5014	MT- GLAZE 0. 000 ZA 1/10W
R404	401 037 5212	MT- GLAZE 100 JA 1/10W	R675	401 010 3835	CARBON 4, 7 KOHM 5% 1/2W
R405	401 037 5212	MT- GLAZE 100 JA 1/10W	R676	401 037 6318	MT- GLAZE 110K JA 1/10W
R407	401 037 5212	MT- GLAZE 100 JA 1/10W	R677	401 037 5618	MT- GLAZE 10K JA 1/10W
R408	401 024 6720	CARBON 100 JA 1/6W	R678	401 038 7215	MT- GLAZE 5. 1K JA 1/10W
R409	401 024 6720	CARBON 100 JA 1/6W	R679	401 012 5748	CARBON 1K JA 1/4W
R410	401 024 6720	CARBON 100 JA 1/6W	R681	401 025 8228	CARBON 22K JA 1/6W
R411	401 037 5212	MT- GLAZE 100 JA 1/10W	R682	401 038 6515	MT- GLAZE 47K JA 1/10W
R412	401 037 5717	MT- GLAZE 100K JA 1/10W	R683	401 038 6515	MT- GLAZE 47K JA 1/10W
R413	401 037 5212	MT- GLAZE 100 JA 1/10W	R684	401 038 0711	MT- GLAZE 2. 2K JA 1/10W
R414	401 038 2210	MT- GLAZE 27K JA 1/10W	R685	401 037 8015	MT- GLAZE 15K JA 1/10W
R415	401 037 5410	MT- GLAZE 1K JA 1/10W	R688	401 025 8723	CARBON 220K JA 1/6W
R416	401 094 1912	MT- GLAZE 10M JA 1/10W	R689	401 037 5618	MT- GLAZE 10K JA 1/10W
R417	401 094 1912	MT- GLAZE 10M JA 1/10W	R690	401 039 0512	MT- GLAZE 82K JA 1/10W
R418	401 037 8015	MT- GLAZE 15K JA 1/10W	R691	401 037 5014	MT- GLAZE 0. 000 ZA 1/10W
R419	401 037 8015	MT- GLAZE 15K JA 1/10W	R692	401 038 9011	MT- GLAZE 680 JA 1/10W
R423	401 037 5717	MT- GLAZE 100K JA 1/10W	R694	401 037 7919	MT- GLAZE 1. 5K JA 1/10W
R424	401 038 2210	MT- GLAZE 27K JA 1/10W	R695	401 038 6218	MT- GLAZE 47 JA 1/10W
R425	401 037 8213	MT- GLAZE 079- 07785/0. 0	R696	401 000 7539	SOLI D 1. 5K KA 1/2W
R426	401 038 4917	MT- GLAZE 39 JA 1/10W	R698	401 037 5410	MT- GLAZE 1K JA 1/10W
R427	401 027 5225	CARBON 680 JA 1/6W	R700	079 035 1100	MT- FILM 3 KOHM 1% 0, 4W
R428	401 038 6218	MT- GLAZE 47 JA 1/10W	R701	402 066 5003	FUSE RES 15R 079- 05387/06
R429	401 012 4543	CARBON 100 JA 1/4W	R702	079 030 2509	MT- FILM 1, 1 OHM 1% 0, 6W
R431	401 024 6720	CARBON 100 JA 1/6W	R703	401 009 4826	CARBON 33 JA 1/2W
R432	401 024 6720	CARBON 100 JA 1/6W	R704	401 037 6714	MT- GLAZE 1. 2K JA 1/10W
R433	401 024 6720	CARBON 100 JA 1/6W	R705	401 062 1606	OXI DE- MT 470 JA 1W
R436	401 026 9620	CARBON 470 JA 1/6W	R706	401 038 0711	MT- GLAZE 2. 2K JA 1/10W
R437	401 037 5618	MT- GLAZE 10K JA 1/10W			

Ref. No.	Part No.	Description	Ref. No.	Part No.	Description
R707	079 053 9001	OXIDE-MT 18 OHM 5% 1W	R907	401 038 9219	MT- GLAZE 6. 8K JA 1/10W
R708	401 026 9620	CARBON 470 JA 1/6W	R908	401 022 6831	CARBON 75 JA 1/4W
R709	401 037 5212	MT- GLAZE 100 JA 1/10W	R909	401 037 2815	MT- GLAZE 75 JA 1/8W
R750	079 053 2410	OXIDE-MT 4, 7 OHM 5% 2W	R910	401 016 4836	CARBON 22K JA 1/4W
R751	401 012 7049	CARBON 10K JA 1/4W	R911	401 038 9219	MT- GLAZE 6. 8K JA 1/10W
R752	401 038 7710	MT- GLAZE 5. 6K JA 1/10W	R912	401 021 1946	CARBON 560 JA 1/4W
R753	401 024 7727	CARBON 100K JA 1/6W	R913	401 037 5212	MT- GLAZE 100 JA 1/10W
R754	079 058 3009	MT- FILM 49, 9KOHM 1% 0, 4W	R914	401 021 1946	CARBON 560 JA 1/4W
R755	401 037 5410	MT- GLAZE 1K JA 1/10W	R915	401 037 5212	MT- GLAZE 100 JA 1/10W
R756	401 012 4543	CARBON 100 JA 1/4W	R916	401 016 3849	CARBON 2. 2K JA 1/4W
R757	401 038 0810	MT- GLAZE 22K JA 1/10W	R917	401 016 3849	CARBON 2. 2K JA 1/4W
R758	401 038 0810	MT- GLAZE 22K JA 1/10W	R918	401 037 5410	MT- GLAZE 1K JA 1/10W
R759	401 037 9319	MT- GLAZE 18K JA 1/10W	R919	401 037 5410	MT- GLAZE 1K JA 1/10W
△R760	079 053 6437	OXIDE-MT 10 OHM 5% 2W	R920	401 037 5410	MT- GLAZE 1K JA 1/10W
R761	401 037 5410	MT- GLAZE 1K JA 1/10W	R921	401 026 6629	CARBON 390 JA 1/6W
R762	401 037 5618	MT- GLAZE 10K JA 1/10W	R922	401 038 9516	MT- GLAZE 75 JA 1/10W
△R803	079 057 9437	OXIDE-MT 18 KOHM 5% 2W	R923	401 038 9516	MT- GLAZE 75 JA 1/10W
R804	079 020 6031	OXIDE-MT 0, 33 OHM 5% 2W	R924	401 038 9516	MT- GLAZE 75 JA 1/10W
R805	079 020 6031	OXIDE-MT 0, 33 OHM 5% 2W	R925	401 038 9516	MT- GLAZE 75 JA 1/10W
R806	401 038 9011	MT- GLAZE 680 JA 1/10W	R926	401 038 9516	MT- GLAZE 75 JA 1/10W
R807	401 012 3447	CARBON 10 JA 1/4W	R927	401 037 2815	MT- GLAZE 75 JA 1/8W
R808	401 037 9210	MT- GLAZE 1. 8K JA 1/10W	R928	401 037 7919	MT- GLAZE 1. 5K JA 1/10W
R809	401 026 4328	CARBON 3K3 JA 1/6W	R929	401 037 7919	MT- GLAZE 1. 5K JA 1/10W
R810	079 051 3014	FUSE RES 0, 33 OHM 5% 0, 5W	R930	401 037 7919	MT- GLAZE 1. 5K JA 1/10W
△R811	402 000 8602	SOLID 5. 6M KA 1/2W	R931	401 037 5212	MT- GLAZE 100 JA 1/10W
R812	402 000 8602	SOLID 5. 6M KA 1/2W	R932	401 037 5212	MT- GLAZE 100 JA 1/10W
R815	401 012 4543	CARBON 100 JA 1/4W	R933	401 026 6629	CARBON 390 JA 1/6W
△R816	079 057 8132	OXIDE-MT 15 KOHM 5% 2W	R934	401 026 9620	CARBON 470 JA 1/6W
R832	401 038 6515	MT- GLAZE 47K JA 1/10W	R935	079 055 1113	OXIDE-MT 180 OHM 5% 1W
R833	401 010 7625	CARBON 560 JA 1/2W	R936	401 038 6317	MT- GLAZE 470 JA 1/10W
R834	401 038 7710	MT- GLAZE 5. 6K JA 1/10W	R937	401 038 0810	MT- GLAZE 22K JA 1/10W
R835	402 038 2405	FUSIBLE RES 56 J- 1/2W	R940	401 038 9516	MT- GLAZE 75 JA 1/10W
R836	401 038 5112	MT- GLAZE 3. 9K JA 1/10W	R941	079 055 1113	OXIDE-MT 180 OHM 5% 1W
R837	401 038 9219	MT- GLAZE 6. 8K JA 1/10W	R942	401 037 5410	MT- GLAZE 1K JA 1/10W
R838	401 037 5014	MT- GLAZE 0. 000 ZA 1/10W	R943	401 037 5410	MT- GLAZE 1K JA 1/10W
R839	401 038 7710	MT- GLAZE 5. 6K JA 1/10W			
R850	401 037 9210	MT- GLAZE 1. 8K JA 1/10W			
R851	401 037 9319	MT- GLAZE 18K JA 1/10W			
R852	401 037 5212	MT- GLAZE 100 JA 1/10W			
R853	401 039 0314	MT- GLAZE 820 JA 1/10W			
R854	401 038 3514	MT- GLAZE 330 JA 1/10W			
R855	079 058 8602	MT- FILM 110 KOHM 1% 0, 6W			
R856	079 034 7009	MT- GLAZE 1, 78KOHM 1% 18W			
R857	401 026 1020	CARBON 2K7 JA 1/6W			
R858	401 020 0841	CARBON 470 JA 1/4W			
R859	401 038 6515	MT- GLAZE 47K JA 1/10W			
R860	079 052 8814	FUSE RES 2R2 OHM 5% 0. 3W			
△R861	079 058 3637	MT- FILM 62 KOHM 5% 2W			
R862	401 038 3613	MT- GLAZE 3. 3K JA 1/10W			
R863	401 025 1328	CARBON 150 JA 1/6W			
R864	401 037 9210	MT- GLAZE 1. 8K JA 1/10W			
R865	401 038 0711	MT- GLAZE 2. 2K JA 1/10W			
R867	401 038 2210	MT- GLAZE 27K JA 1/10W			
R868	401 038 7819	MT- GLAZE 56K JA 1/10W			
R869	401 037 5410	MT- GLAZE 1K JA 1/10W			
R870	401 024 6720	CARBON 100 JA 1/6W			
R871	401 038 9219	MT- GLAZE 6. 8K JA 1/10W			
R872	401 038 3712	MT- GLAZE 33K JA 1/10W			
R873	401 037 5618	MT- GLAZE 10K JA 1/10W			
R875	401 020 0841	CARBON 470 JA 1/4W			
R876	401 037 5410	MT- GLAZE 1K JA 1/10W			
R877	401 037 5410	MT- GLAZE 1K JA 1/10W			
R879	079 055 2418	OXIDE-MT 220 OHM 5% 2W			
R900	401 021 1946	CARBON 560 JA 1/4W			
R901	401 024 6720	CARBON 100 JA 1/6W			
R902	401 016 3849	CARBON 2. 2K JA 1/4W			
R903	401 021 1946	CARBON 560 JA 1/4W			
R904	401 024 6720	CARBON 100 JA 1/6W			
R905	401 016 3849	CARBON 2. 2K JA 1/4W			
R906	401 016 4836	CARBON 22K JA 1/4W			

### 1AA0B10H04000 ASSY,PWB,AUDIO F7HSV

#### CAPACITOR

C1301	403 207 0317	C SMD 1MF16V 023-07202/03
C1302	403 069 9510	CERAMIC CHIP 0. 01 Z 50V
C1303	403 192 5915	CERAMIC 0. 1U K 25V
C1304	403 069 9510	CERAMIC CHIP 0. 01 Z 50V
C1305	403 049 4204	ELECT 10U M 50V
C1306	403 069 9510	CERAMIC CHIP 0. 01 Z 50V
C1307	403 207 0317	C SMD 1MF16V 023-07202/03
C1319	403 207 0317	C SMD 1MF16V 023-07202/03
C1320	403 248 1618	ELECT 47U M 16V
C1323	403 248 1618	ELECT 47U M 16V
C1324	403 073 7311	CERAMIC 470P K 50V
C1326	403 073 7311	CERAMIC 470P K 50V
C1328	403 073 7311	CERAMIC 470P K 50V
C1330	403 073 7311	CERAMIC 470P K 50V
C1332	403 248 1618	ELECT 47U M 16V
C1333	403 069 9510	CERAMIC CHIP 0. 01 Z 50V
C1334	403 069 9510	CERAMIC CHIP 0. 01 Z 50V
C1335	403 069 9510	CERAMIC CHIP 0. 01 Z 50V
C1336	403 069 9510	CERAMIC CHIP 0. 01 Z 50V
C1338	403 069 9510	CERAMIC CHIP 0. 01 Z 50V
C1339	403 069 9510	CERAMIC CHIP 0. 01 Z 50V
C1340	403 069 9510	CERAMIC CHIP 0. 01 Z 50V
C1341	403 049 4204	ELECT 10U M 50V
C1342	403 069 9510	CERAMIC CHIP 0. 01 Z 50V
C1343	403 207 0317	C SMD 1MF16V 023-07202/03
C1344	403 207 0317	C SMD 1MF16V 023-07202/03
C1380	403 068 0419	CERAMIC 0. 1U Z 25V
C1381	403 049 4204	ELECT 10U M 50V
C1382	403 314 6110	CERAMIC 2. 2U K 16V
C1383	403 178 9319	POLYESTER 0. 01U J 50V
C1384	403 237 8057	MT- COMPO 0. 1U J 50V
C1385	403 178 9210	POLYESTER 1000P J 50V
C1386	403 178 9319	POLYESTER 0. 01U J 50V

Ref. No.	Part No.	Description	Ref. No.	Part No.	Description
C1387	403 178 9319	POLYESTER 0.01U J 50V			
C1388	403 178 9319	POLYESTER 0.01U J 50V			
C1389	403 178 9319	POLYESTER 0.01U J 50V			
C1390	403 049 4204	ELECT 10U M 50V			
C1391	403 049 4204	ELECT 10U M 50V			
C1392	403 314 6110	CERAMIC 2.2U K 16V			
C1393	403 248 1618	ELECT 47U M 16V			
C1394	403 178 9210	POLYESTER 1000P J 50V			
C1395	403 237 8057	MF-COMPO 0.1U J 50V			
C1396	403 178 9319	POLYESTER 0.01U J 50V			
C1397	403 314 6110	CERAMIC 2.2U K 16V			
C1398	403 073 7311	CERAMIC 470P K 50V			
C1399	403 073 7311	CERAMIC 470P K 50V			
<b>DIODE</b>			<b>INTERGRATED CIRCUIT</b>		
D1301	407 071 6522	ZENER DIODE DZD5.1Y-TA	IC500	036 051 4905	IC TDA 6108 JFN1
D1302	407 071 6522	ZENER DIODE DZD5.1Y-TA			
D1303	407 071 6522	ZENER DIODE DZD5.1Y-TA			
D1304	407 071 6522	ZENER DIODE DZD5.1Y-TA			
<b>INTERGRATED CIRCUIT</b>			<b>COIL</b>		
IC1300	409 445 1403	IC TDA9875A/V2	L503	401 037 5014	MT-GLAZE 0.000 ZA 1/10W
IC1380	409 405 6004	IC MMI369BD	L504	401 037 5014	MT-GLAZE 0.000 ZA 1/10W
<b>MISCELLANEOUS</b>			L505	009 030 4924	CHOKER.F. 470 UH. 10%
K1300A	645 008 3334	PLUG 9P	L506	009 020 7309	COIL AXIAL 35UH. 10% 1, 5A
K1300B	645 008 3365	PLUG, 12P			
K1300C	610 242 7042	10 WAY PLUG	<b>RESISTOR</b>		
<b>COIL</b>			R500	401 000 7539	SOLID 1.5K KA 1/2W
L1300	062 001 1502	FER SMD 0603 6000HM20 MHZ	R501	401 000 7539	SOLID 1.5K KA 1/2W
L1301	062 001 1502	FER SMD 0603 6000HM20 MHZ	R502	401 000 7539	SOLID 1.5K KA 1/2W
L1302	062 001 1502	FER SMD 0603 6000HM20 MHZ	R503	401 000 7539	SOLID 1.5K KA 1/2W
L1303	062 001 1502	FER SMD 0603 6000HM20 MHZ	R504	401 000 7539	SOLID 1.5K KA 1/2W
L1304	645 008 2214	PEAKING COIL 2.2UHK	R506	402 001 8502	FUSIBLE RES 10 J- 1/2W
L1308	645 008 2214	PEAKING COIL 2.2UHK	R507	401 037 5212	MT-GLAZE 100 JA 1/10W
L1309	062 001 1502	FER SMD 0603 6000HM20 MHZ	R508	401 037 5212	MT-GLAZE 100 JA 1/10W
<b>RESISTOR</b>			R509	401 037 5212	MT-GLAZE 100 JA 1/10W
R1300	401 037 5212	MT-GLAZE 100 JA 1/10W	R510	401 037 9210	MT-GLAZE 1.8K JA 1/10W
R1301	401 037 5212	MT-GLAZE 100 JA 1/10W	R511	401 037 9210	MT-GLAZE 1.8K JA 1/10W
R1302	401 037 5618	MT-GLAZE 10K JA 1/10W	R512	401 037 9210	MT-GLAZE 1.8K JA 1/10W
R1303	401 037 5410	MT-GLAZE 1K JA 1/10W	ZOCALO	033 016 2108	SKT TRC DIA 22, 5 MM
R1304	401 037 5014	MT-GLAZE 0.000 ZA 1/10W	<b>1AA0B10H040AA ASSY,PWB,FRONT, F7HSV</b>		
R1310	401 037 6813	MT-GLAZE 12K JA 1/10W	<b>CAPACITOR</b>		
R1311	401 037 6813	MT-GLAZE 12K JA 1/10W	C1800	404 060 7205	MT-POLYEST 0.1U M 250V
R1312	401 037 6813	MT-GLAZE 12K JA 1/10W	C1801	404 060 7205	MT-POLYEST 0.1U M 50V
R1313	401 037 6813	MT-GLAZE 12K JA 1/10W	C1810	403 049 4204	ELECT 10U M 50V
R1314	401 037 6813	MT-GLAZE 12K JA 1/10W	C1830	403 069 1712	CERAMIC 1000P K 50V
R1315	401 037 6813	MT-GLAZE 12K JA 1/10W	C1831	403 069 1712	CERAMIC 1000P K 50V
R1316	401 038 2012	MT-GLAZE 270 JA 1/10W	C1832	403 068 0419	CERAMIC 0.1U Z 25V
R1318	401 037 5618	MT-GLAZE 10K JA 1/10W	C1840	403 073 7311	CERAMIC 470P K 50V
R1320	401 038 6317	MT-GLAZE 470 JA 1/10W	C1841	403 073 7311	CERAMIC 470P K 50V
R1321	401 037 5618	MT-GLAZE 10K JA 1/10W	C1842	403 207 0317	CERAMIC SMD 1MF. Z 16V
R1381	401 038 9714	MT-GLAZE 7.5K JA 1/10W	C1843	403 073 7311	CERAMIC 470P K 50V
R1382	401 037 5212	MT-GLAZE 100 JA 1/10W	C1844	403 073 7311	CERAMIC 470P K 50V
R1383	401 037 5618	MT-GLAZE 10K JA 1/10W	C1845	403 207 0317	CERAMIC SMD 1MF. Z 16V
R1384	401 038 5310	MT-GLAZE 39K JA 1/10W	C1847	403 226 4201	ELECT 47U M 16V
X1300	645 024 7484	OSC, CRYSTAL 24.576MHZ	C1848	403 251 7109	ELECT 47U U 16V
<b>1AA0B10H040AB ASSY,PWB,CRT,F7HSV</b>			C1849	403 073 7311	CERAMIC 470P K 50V
<b>CAPACITOR</b>			C1850	403 224 0017	CERAMIC 1000P J 63V
C500	403 066 2009	MT-POLYEST 0.1U K 250V	<b>DIODE</b>		
C501	403 173 0935	ELECT 10U M 250V	D1800	407 158 9204	LED SPR-39MVWF
C503	403 247 2111	CERAMIC 2200P K 2K	D1805	407 071 6522	ZENER DIODE DZD5.1Y-TA
C504	403 073 7311	CERAMIC 470P K 50V	D1806	407 071 6522	ZENER DIODE DZD5.1Y-TA
<b>DIODE</b>			D1807	407 071 6522	ZENER DIODE DZD5.1Y-TA
D500	407 007 7415	DIODE EU1	D1840	407 071 6522	ZENER DIODE DZD5.1Y-TA
D501	407 007 7415	DIODE EU1	<b>INTEGRATED CIRCUIT</b>		
D502	407 007 7415	DIODE EU1	IC800	036 071 1204	IC TPL165J 036-07112/0.4
			<b>COIL</b>		
			L1800	009 041 3105	LINE FIL 009-04131/0.5
			L1830	645 007 9818	COIL 22UHK
			L1831	645 007 9818	COIL 22UHK
			L1840	645 001 4710	PEAKING COIL 10UH J
			L1841	645 001 4710	PEAKING COIL 10UH J
			L1842	645 001 4710	PEAKING COIL 10UH J
			L1846	062 001 1502	FER.SMD 0603 6000HM20 MHZ
			<b>RESISTOR</b>		
			R1800	401 008 9010	CARBON 2.2 MOHM 5% 1/2W
			R1801	401 010 5106	CARBON 4, 7 MOHM 5% 1/2W
			△ R1802	402 071 0000	WIRE WOUND 5W
			R1803	401 038 3415	MT-GLAZE 33 JA 1/10W
			R1804	079 033 9105	RES.FUSIBLE 390 OHM 5%, 5W
			△ R1805	402 071 0000	WIRE WOUND 5W
			R1810	401 026 3925	CARBON 330 JA 1/6W

Ref. No.	Part No.	Description
R1815	401 038 0810	MF- GLAZE 22K JA 1/10W
R1816	401 038 0810	MF- GLAZE 22K JA 1/10W
R1817	401 038 0810	MF- GLAZE 22K JA 1/10W
R1820	401 038 0810	MF- GLAZE 22K JA 1/10W
R1821	401 037 5014	MF- GLAZE 0. 000 ZA 1/10W
R1822	401 037 7919	MF- GLAZE 1. 5K JA 1/10W
R1830	401 019 9640	CARBON 47 JA 1/4W
R1831	401 019 9640	CARBON 47 JA 1/4W
R1832	401 037 5410	MF- GLAZE 1K JA 1/10W
R1833	401 037 5410	MF- GLAZE 1K JA 1/10W
R1840	401 016 3849	CARBON 2. 2K JA 1/4W
R1841	401 016 3849	CARBON 2. 2K JA 1/4W
R1842	401 022 6831	CARBON 75 JA 1/4W
R1843	401 038 6416	MF- GLAZE 4. 7K JA 1/10W
R1844	401 037 7919	MF- GLAZE 1. 5K JA 1/10W
R1845	401 038 6317	MF- GLAZE 470 JA 1/10W
R1846	401 038 6317	MF- GLAZE 470 JA 1/10W

**TRANSISTOR**

Q1820	036 032 1103	SMD DTA124EKA SC- 59
Q1821	036 032 1103	SMD DTA124EKA SC- 59
Q1840	405 014 4519	TR 2SC2412KT146/R

**MISCELLANEOUS**

△F1800	423 006 1404	FUSE T 2 A. /250V
PL1800	610 011 4432	SWITCH, PUSH
PL1801	610 011 4432	SWITCH, PUSH
PL1802	610 011 4432	SWITCH, PUSH
PL1803	610 011 4432	SWITCH, PUSH
PL1804	610 011 4432	SWITCH, PUSH
PL1805	610 011 4432	SWITCH, PUSH
PT1800	081 010 1212	DUAL PTC 081- 01012/1. 2
S1800	645 006 4708	JACK, PHONE D3. 6
S1801	033 015 9708	3 RCA ASSEMBLY
△SW1800	014 020 4207	SW MAINS
TR1800	036 030 6914	TRIAC BT 137- 600
YG 1	610 222 0322	LED HOLDER- G2CA- A

**OUT OF CIRCUIT PARTS-CE32WN3-C**

△L901	645 030 2626	D/COIL 32 WIDE A1084100
SP901	645 002 4313	SPEAKER 8
SP902	645 002 4313	SPEAKER 8
W902A	610 206 0300	GROUNDING SPRING- S4LA
W902B	610 206 0300	GROUNDING SPRING- S4LA
Z1	414 010 0705	V/C W76EGV023X115 CRT 50

All information in this manual is correct at the start of production. Sanyo reserves the right to modify components and procedures in order to comply with their continuous improvement policy.







**Sanyo Industries (UK) Ltd**  
Printed in UK